

Attic-Seal

Energy efficient attic hatch

Prefabricated attic access hatch that's easy to install and airtight - saving you time and money.

Attic-Seal Features

Easy to install in new home construction and renovation projects.



Superior R-values **1**

Three-ply insulated fiberglass door panels deliver superior energy efficiency.



Air tight performance **2**

Camlocks tightly compress the panel to the dual weatherstripped frame for an air tight seal.

Easy installation **3**

Integral installation fin and 1/2" frame setback makes it easy to install and finish.



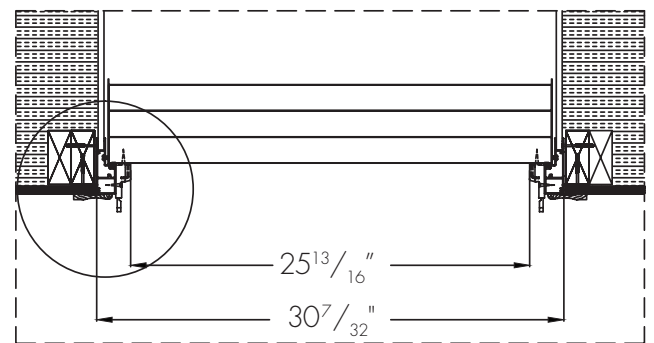
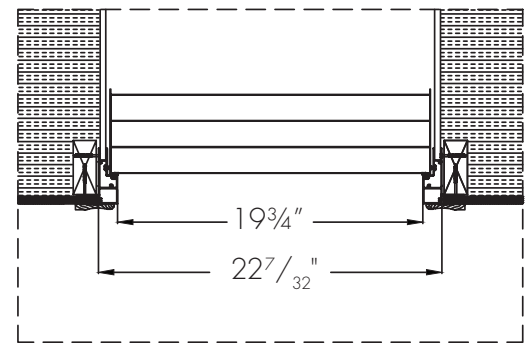
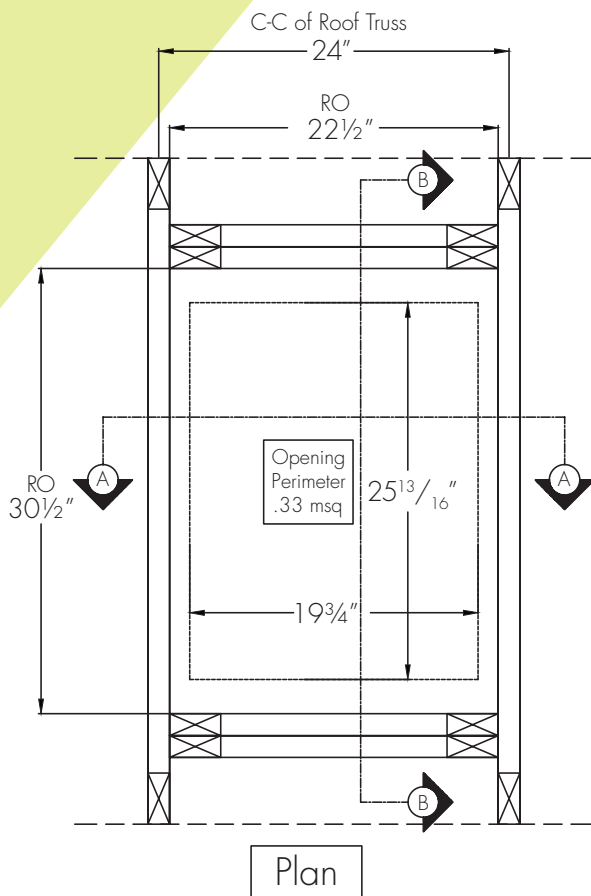
DURABUILT[™]
WINDOWS & DOORS

durabuiltwindows.com
all about you.

The air leakage infiltration and exfiltration rates were each calculated to be 2.1 L/(s-m²). Attic-Seal meets an Air Rating of A1.

Attic-Seal Installation Instructions

1. Remove Attic-Seal door panel from frame.
2. Install 3/8" plywood into the Attic-Seal frame for an insulation dam.
3. Prepare a rough opening of 22 1/2" x 30 1/2" with double wood bucking between the roof trusses.
4. Place the Attic-Seal frame and fasten to the underside of the roof truss through the pre-drilled holes in the nail fin and insulation dam.
5. Drywall and tape to the edges of the Attic-Seal frame.
6. Place the Attic-Seal door panel into the aluminum frame.



durabuiltwindows.com
all about you.