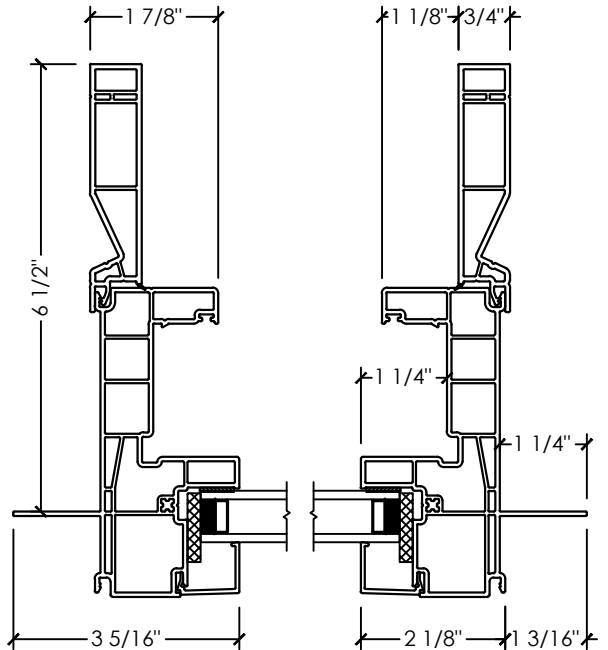
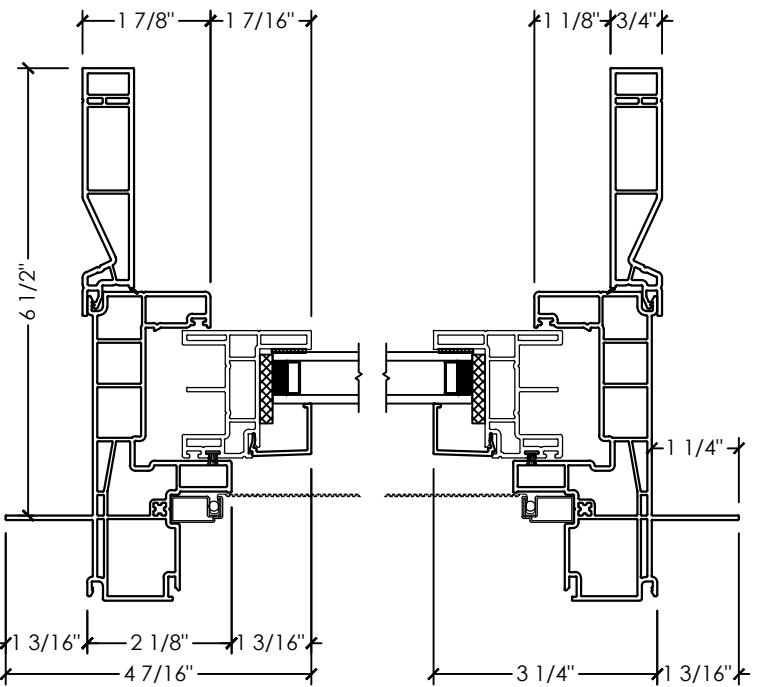


A SECTION DETAIL
VERTICAL SLIDER SASH



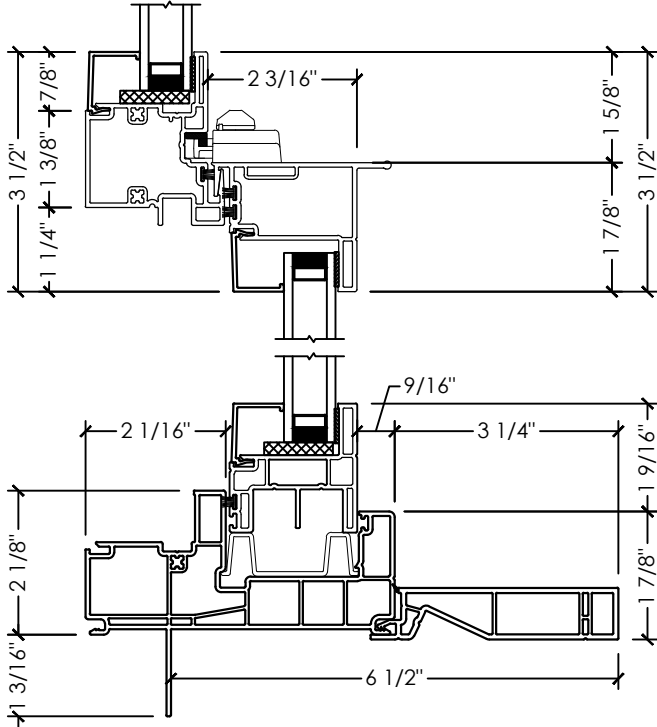
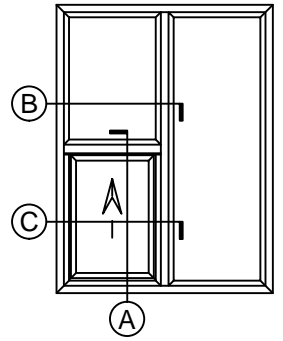
B PLAN DETAIL
V. SLIDER FIXED



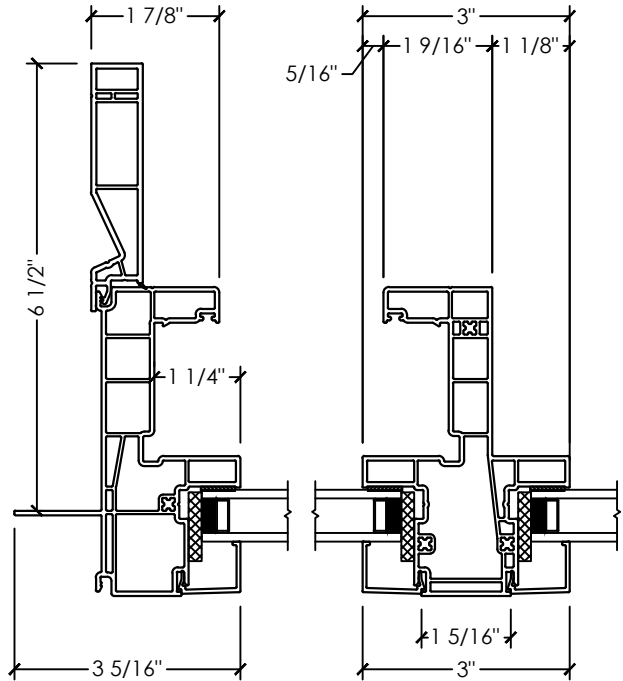
C PLAN DETAIL
V. SLIDER SASH

Alpha 450 | Nailing Fin Frame

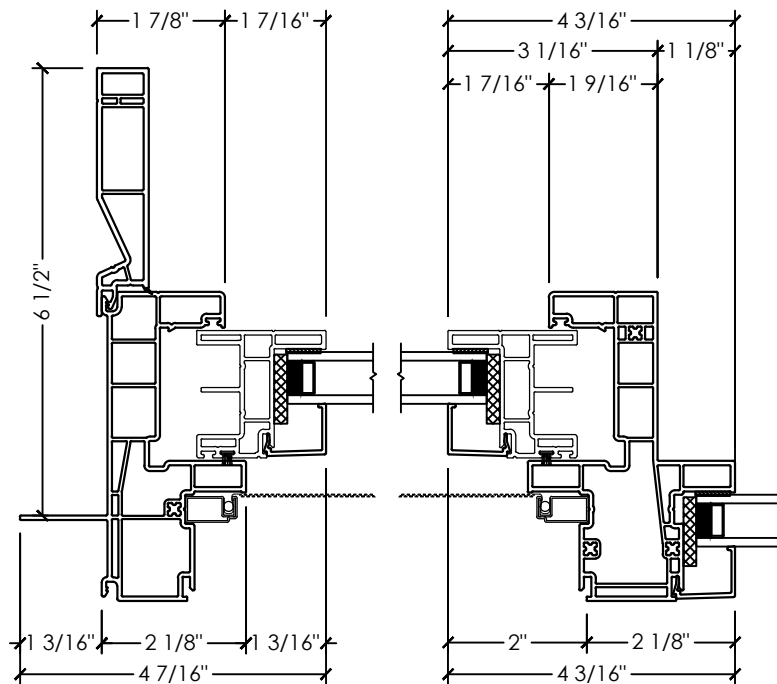
Section Details | Dual Pane
Vertical Slider-Fixed



A SECTION DETAIL
VERTICAL SLIDER SASH



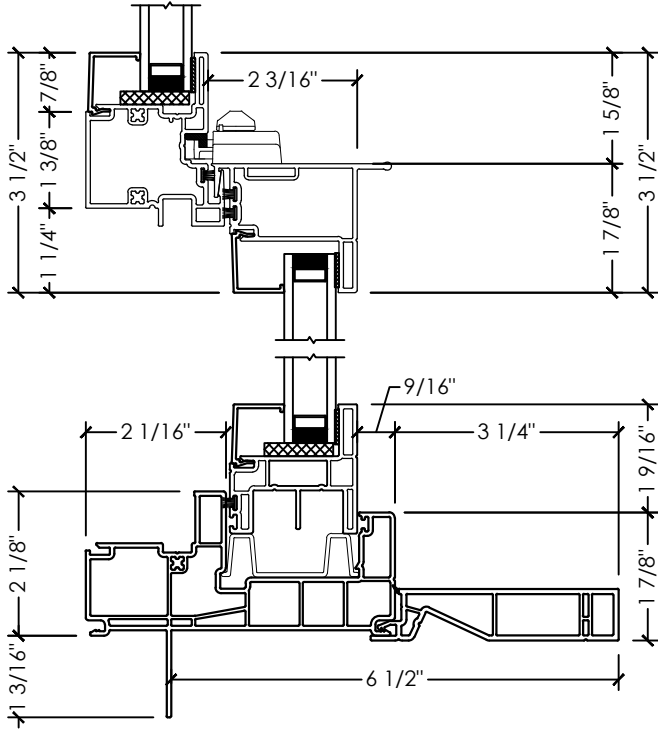
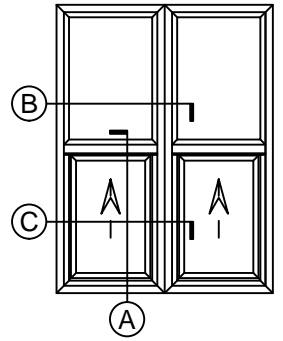
B PLAN DETAIL
V. SLIDER FIXED-FIXED



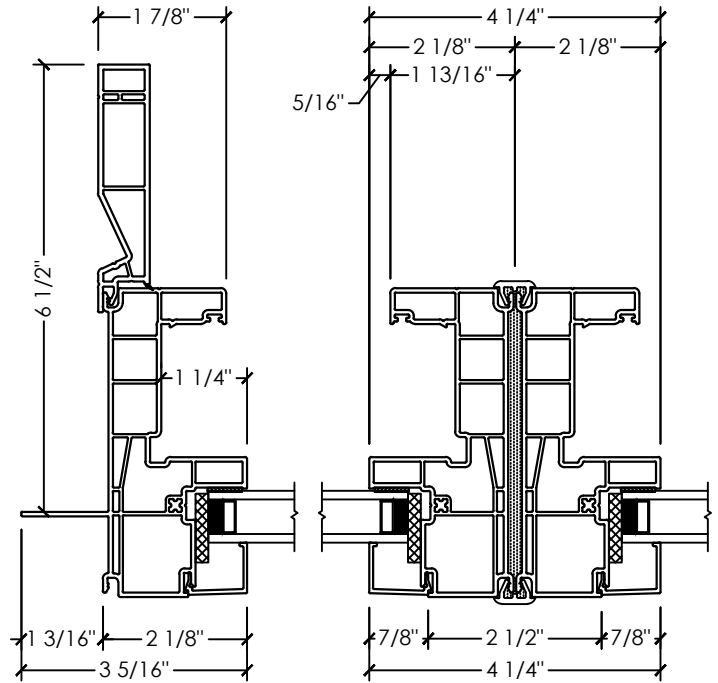
C PLAN DETAIL
V. SLIDER SASH-FIXED

Alpha 450 | Nailing Fin Frame

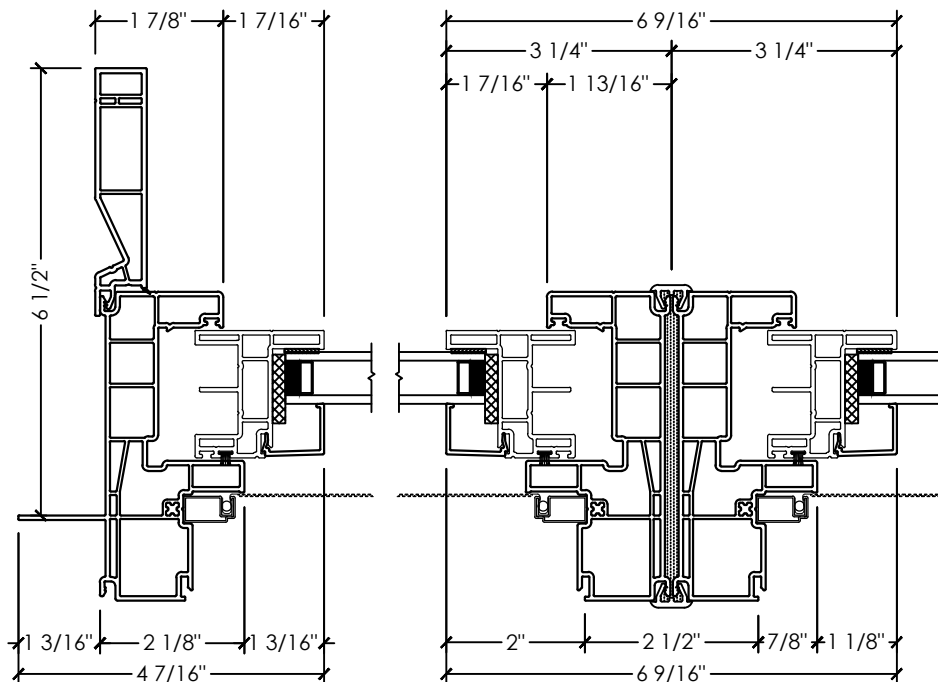
Section Details | Dual Pane
Vertical Slider-Vertical Slider



A SECTION DETAIL
VERTICAL SLIDER SASH



B PLAN DETAIL
V. SLIDER FIXED-FIXED



C PLAN DETAIL
V. SLIDER SASH-SASH