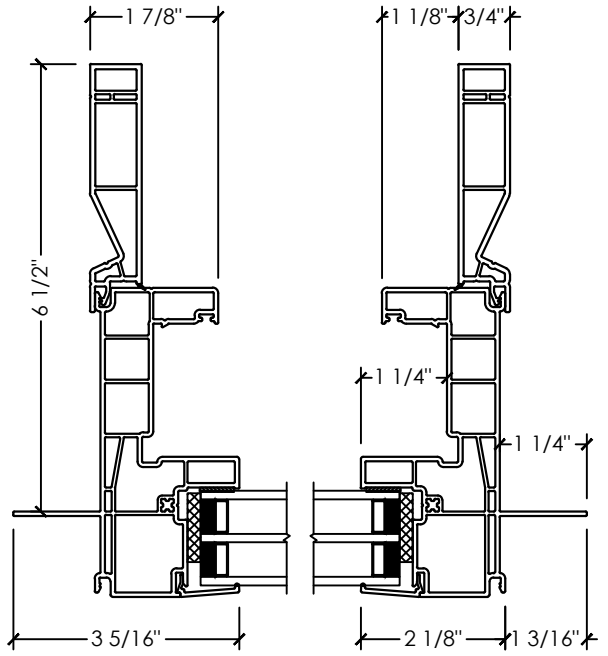
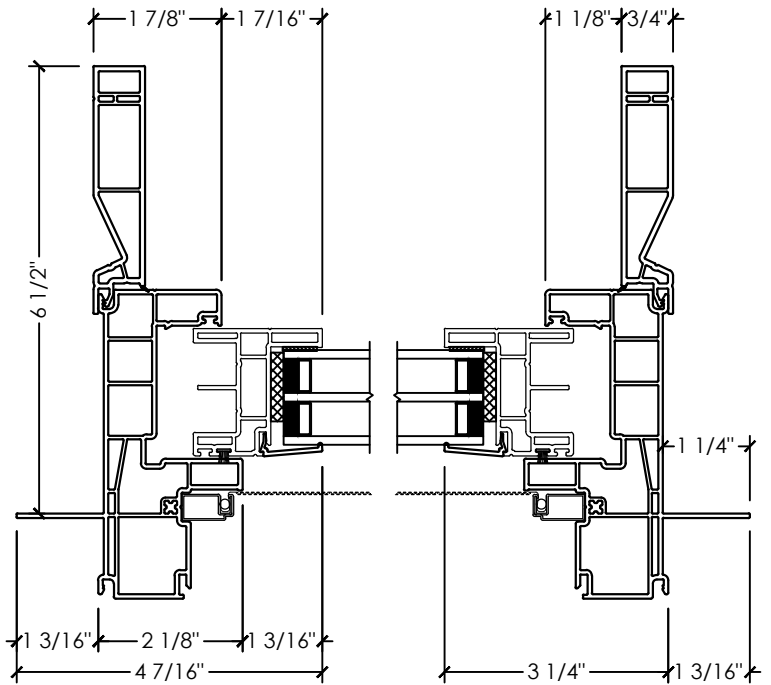


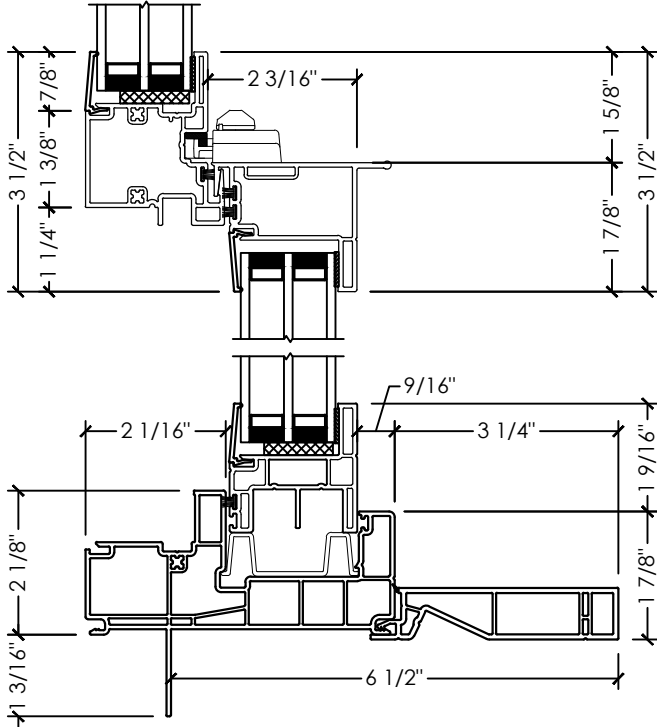
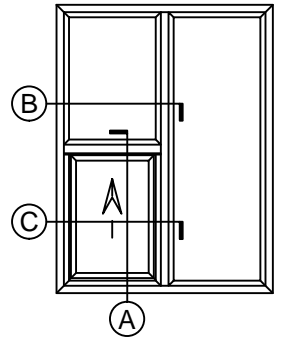
**A** SECTION DETAIL  
VERTICAL SLIDER SASH



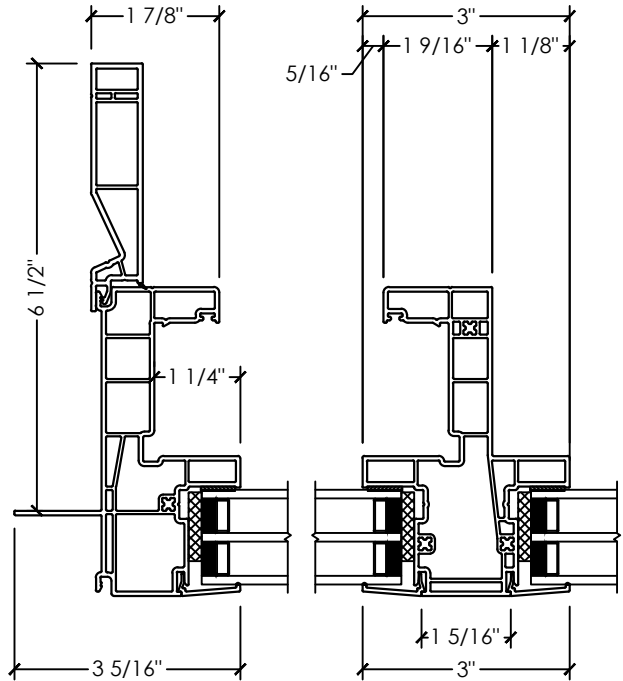
**B** PLAN DETAIL  
V. SLIDER FIXED



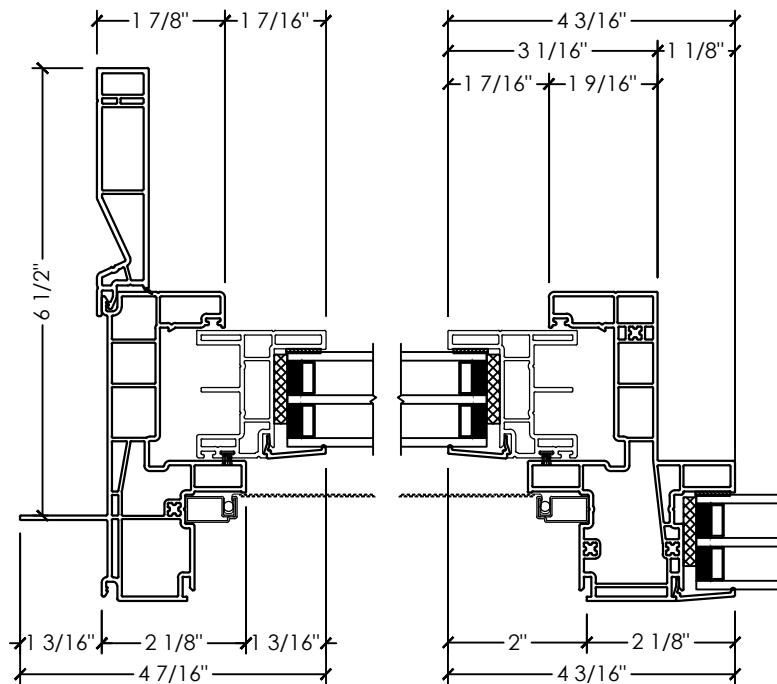
**C** PLAN DETAIL  
V. SLIDER SASH



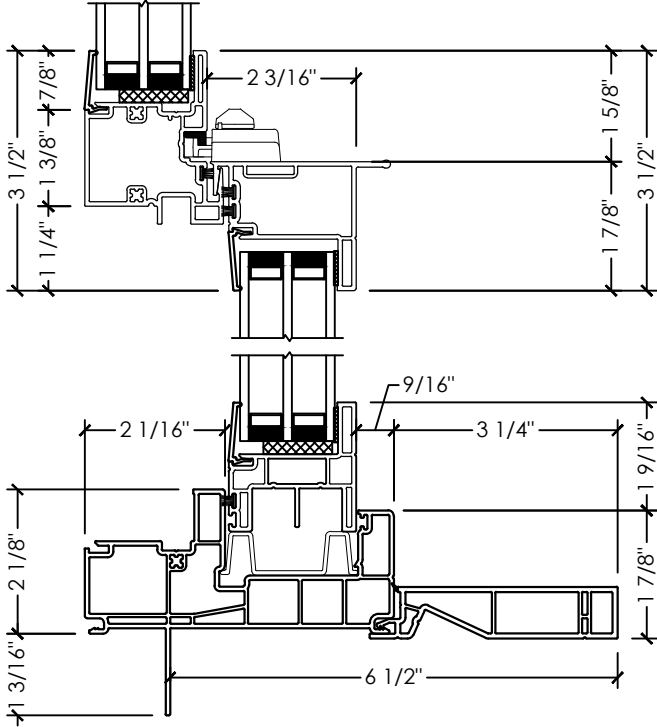
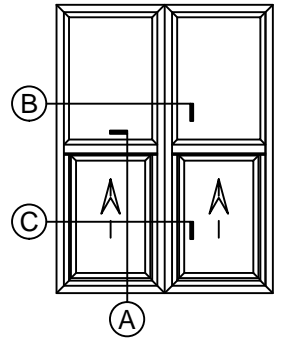
**A** SECTION DETAIL  
VERTICAL SLIDER SASH



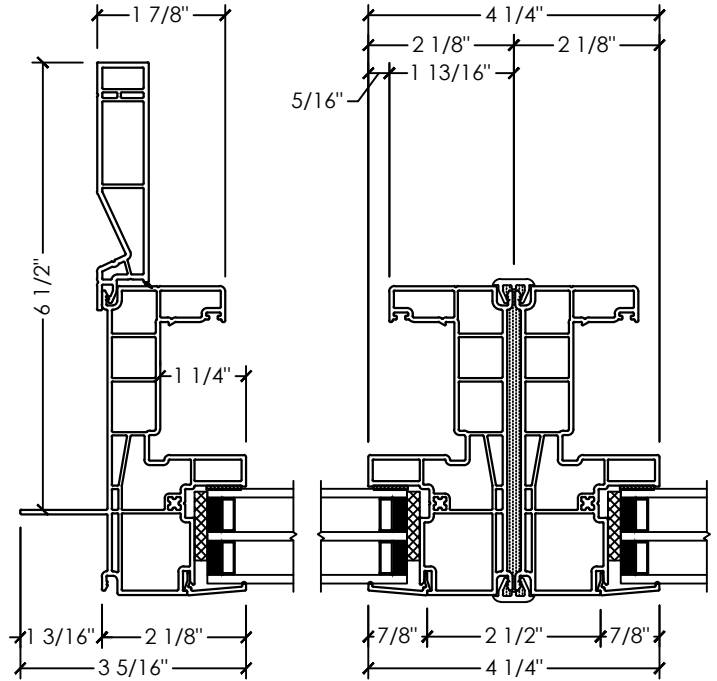
**B** PLAN DETAIL  
V. SLIDER FIXED-FIXED



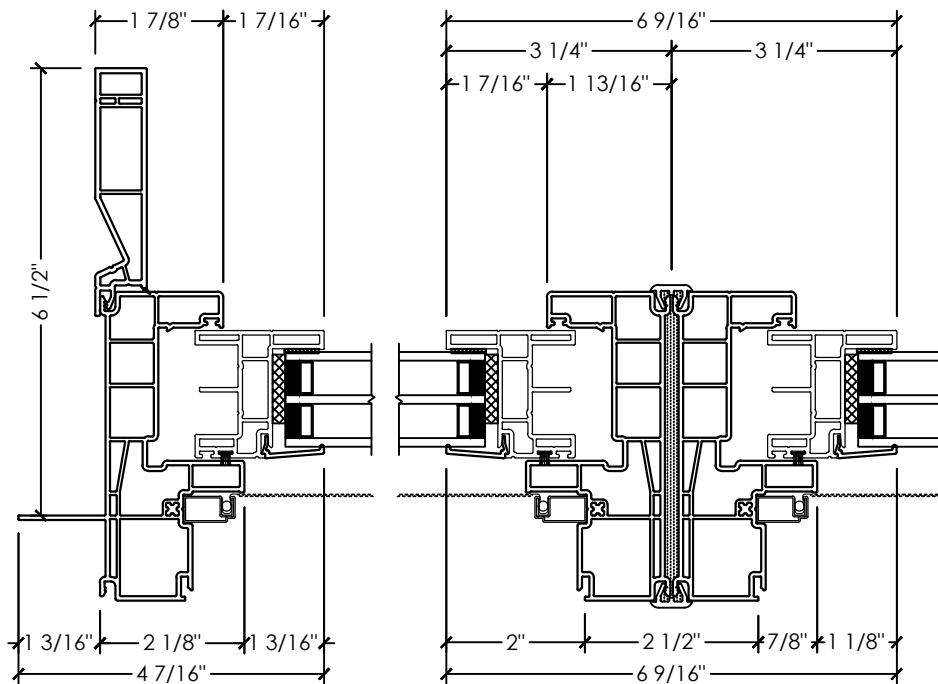
**C** PLAN DETAIL  
V. SLIDER SASH-FIXED



**A** SECTION DETAIL  
VERTICAL SLIDER SASH



**B** PLAN DETAIL  
V. SLIDER FIXED-FIXED



**C** PLAN DETAIL  
V. SLIDER SASH-SASH