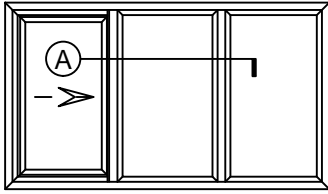
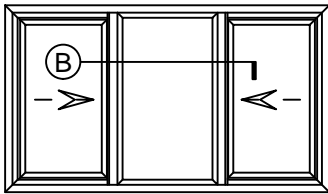
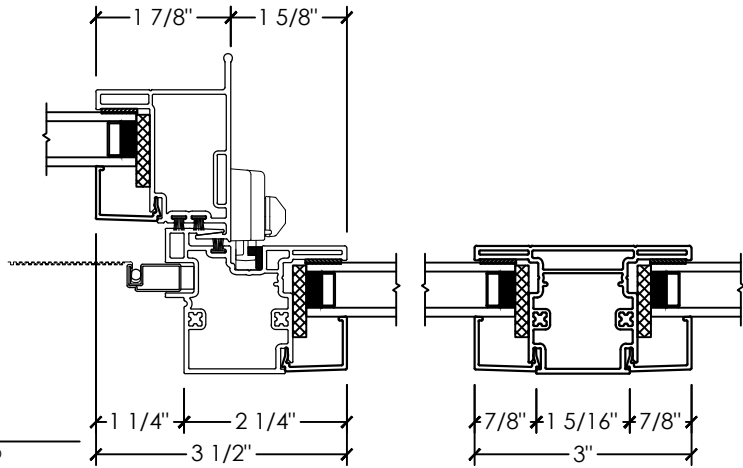


**Alpha 450**

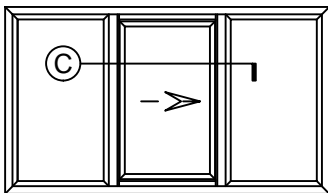
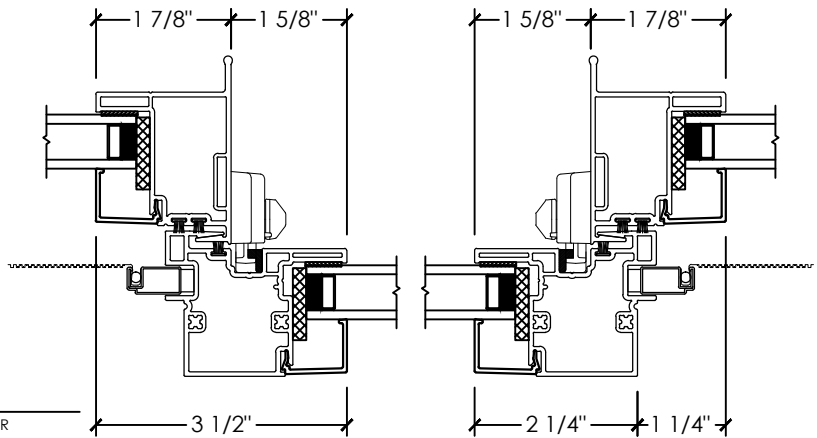
Section Details | Dual Pane  
Additional Slider Mullion Details



**A** PLAN DETAIL  
SLIDER-FIXED-FIXED



**B** PLAN DETAIL  
SLIDER-FIXED-SLIDER



**C** PLAN DETAIL  
FIXED-SLIDER-FIXED

