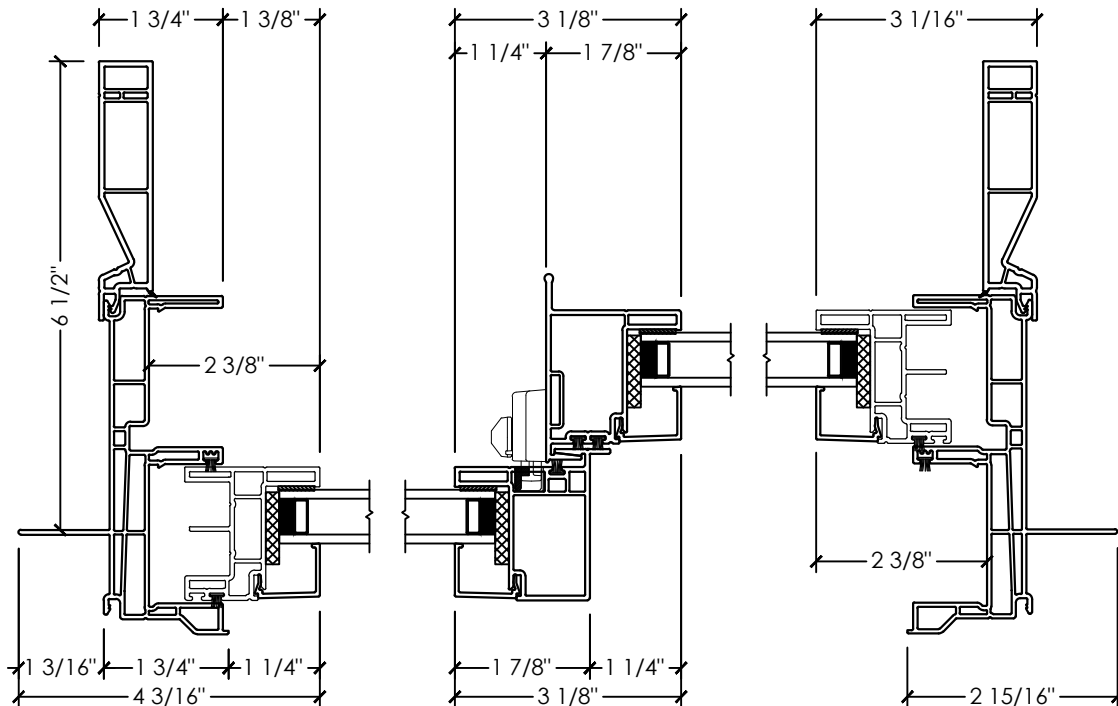


A SECTION DETAIL
DOUBLE SLIDER - INACTIVE SASH

B SECTION DETAIL
DOUBLE SLIDER - ACTIVE SASH



C PLAN DETAIL
DOUBLE SLIDER