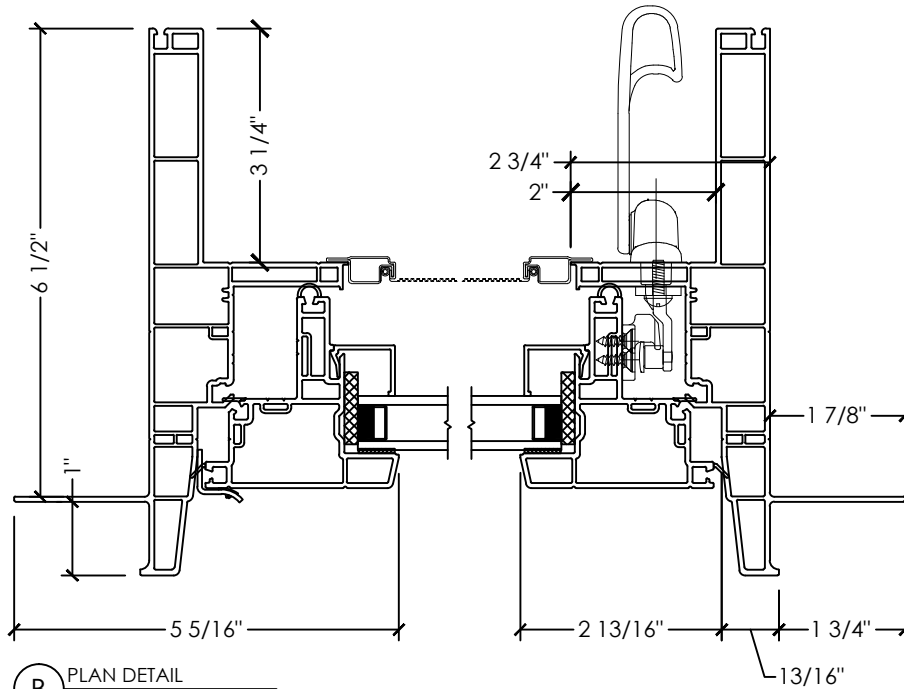
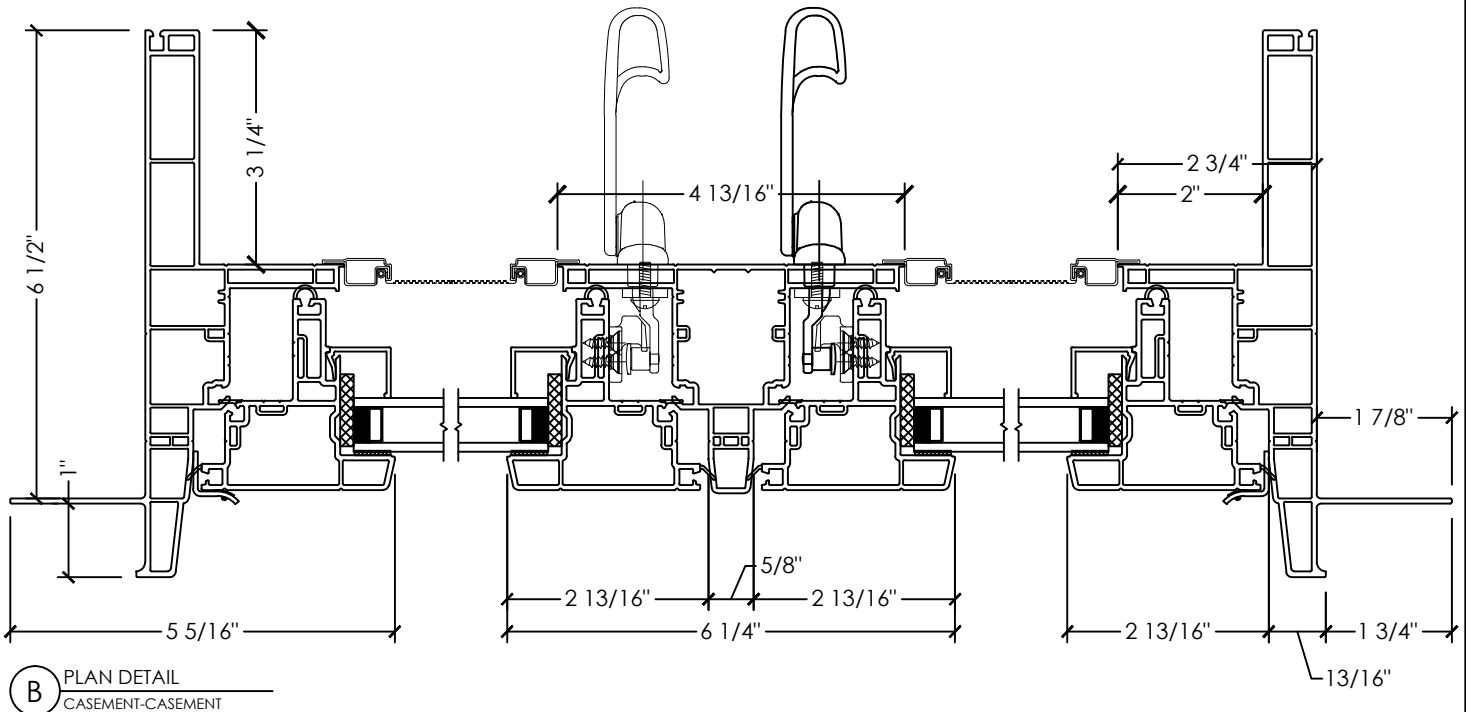
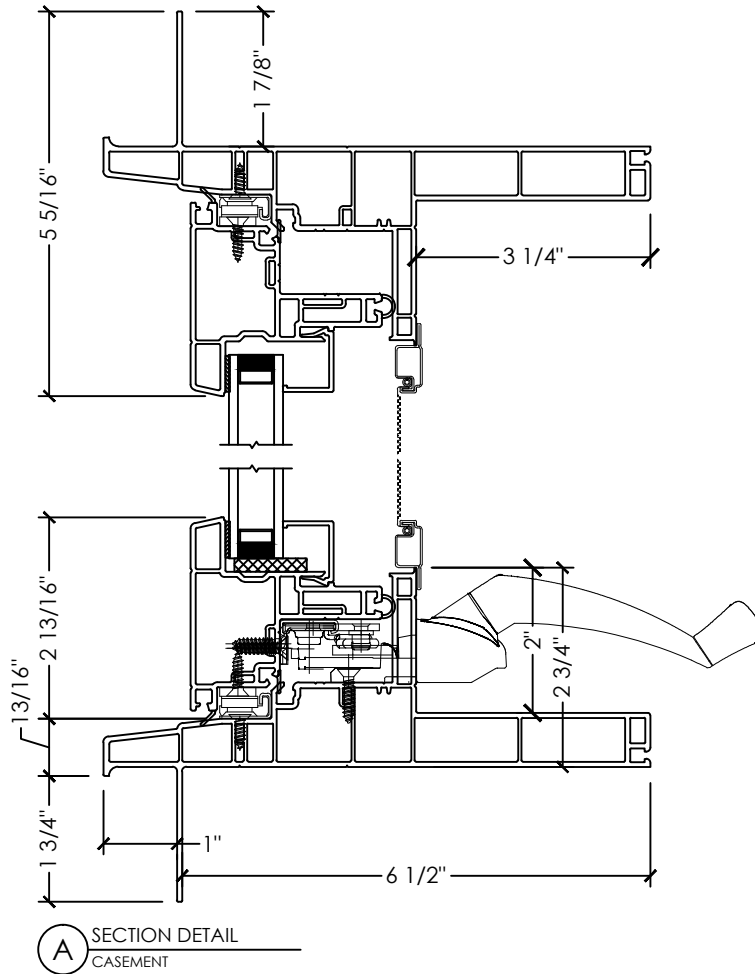
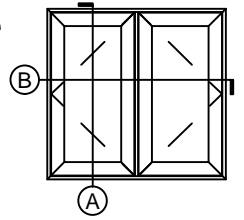


A SECTION DETAIL
CASEMENT

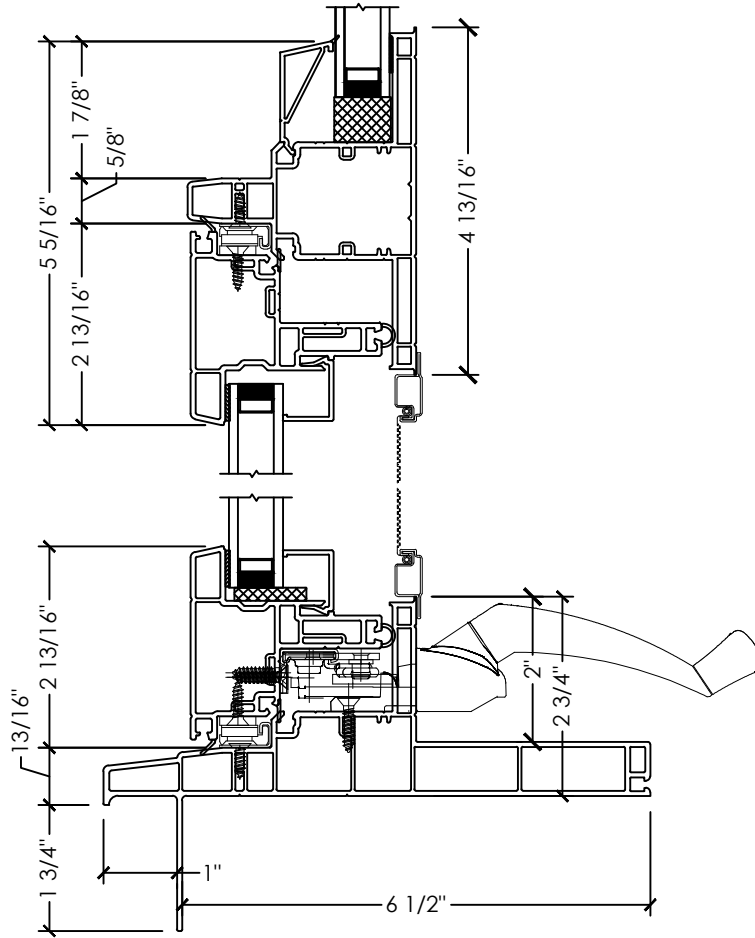
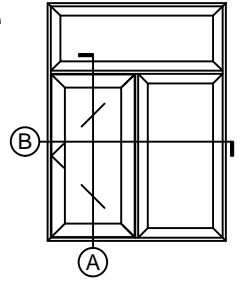


B PLAN DETAIL
CASEMENT

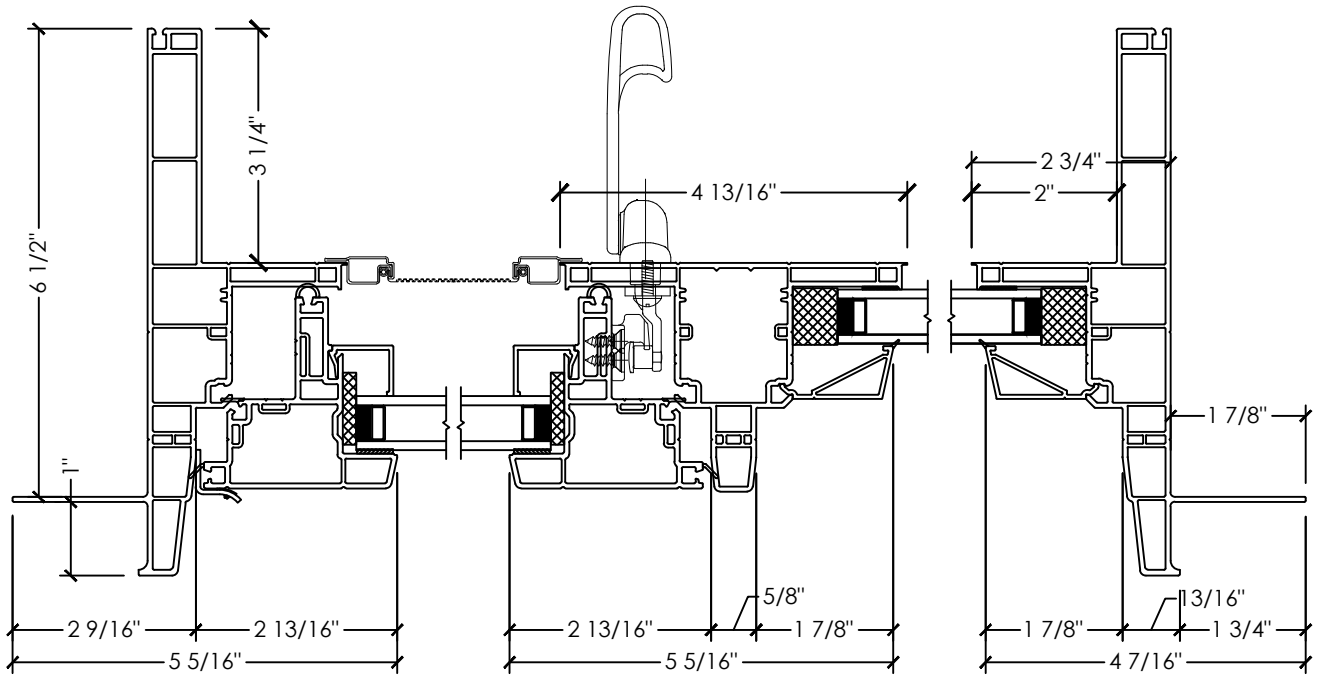


Omega 750 | Nailing Fin Monoframe

Section Details | Dual Pane
Fixed/Casement-Fixed



A SECTION DETAIL
FIXED OVER CASEMENT



B PLAN DETAIL
CASEMENT-FIXED