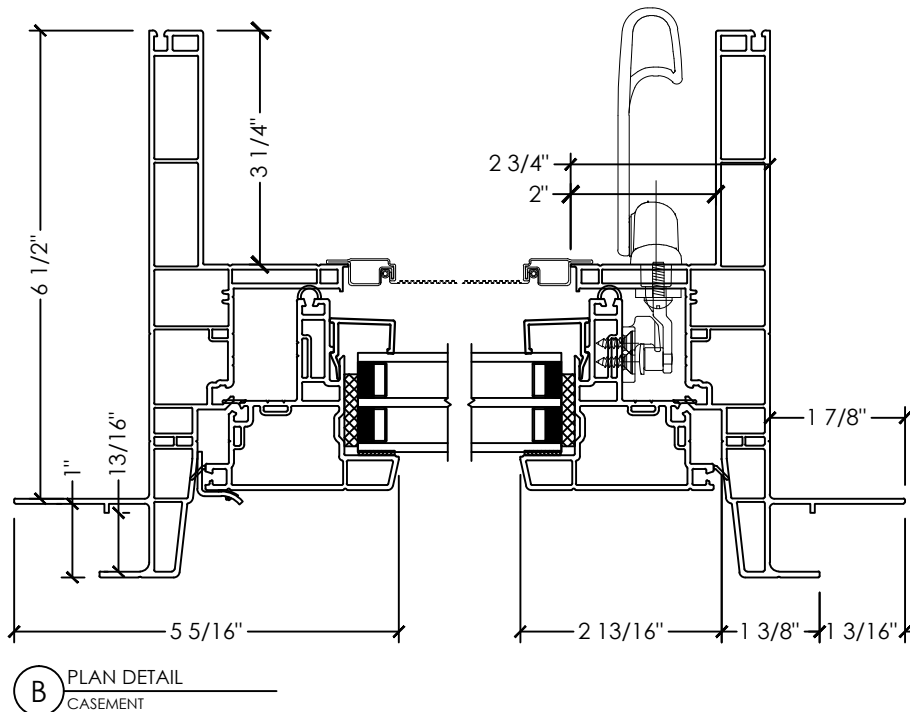
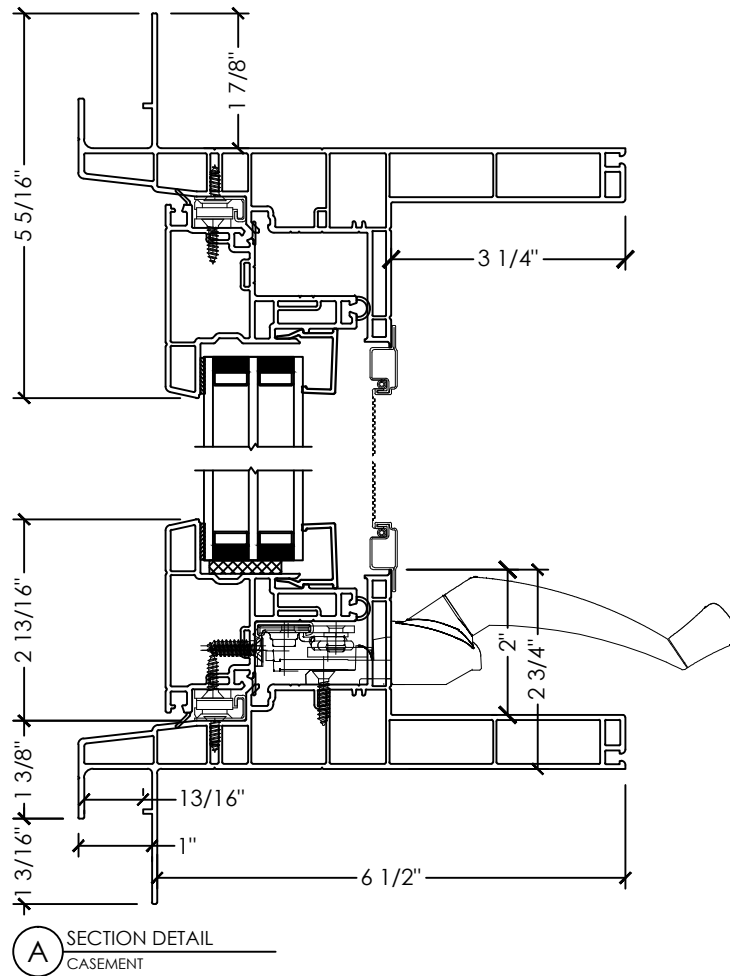
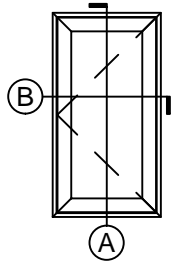


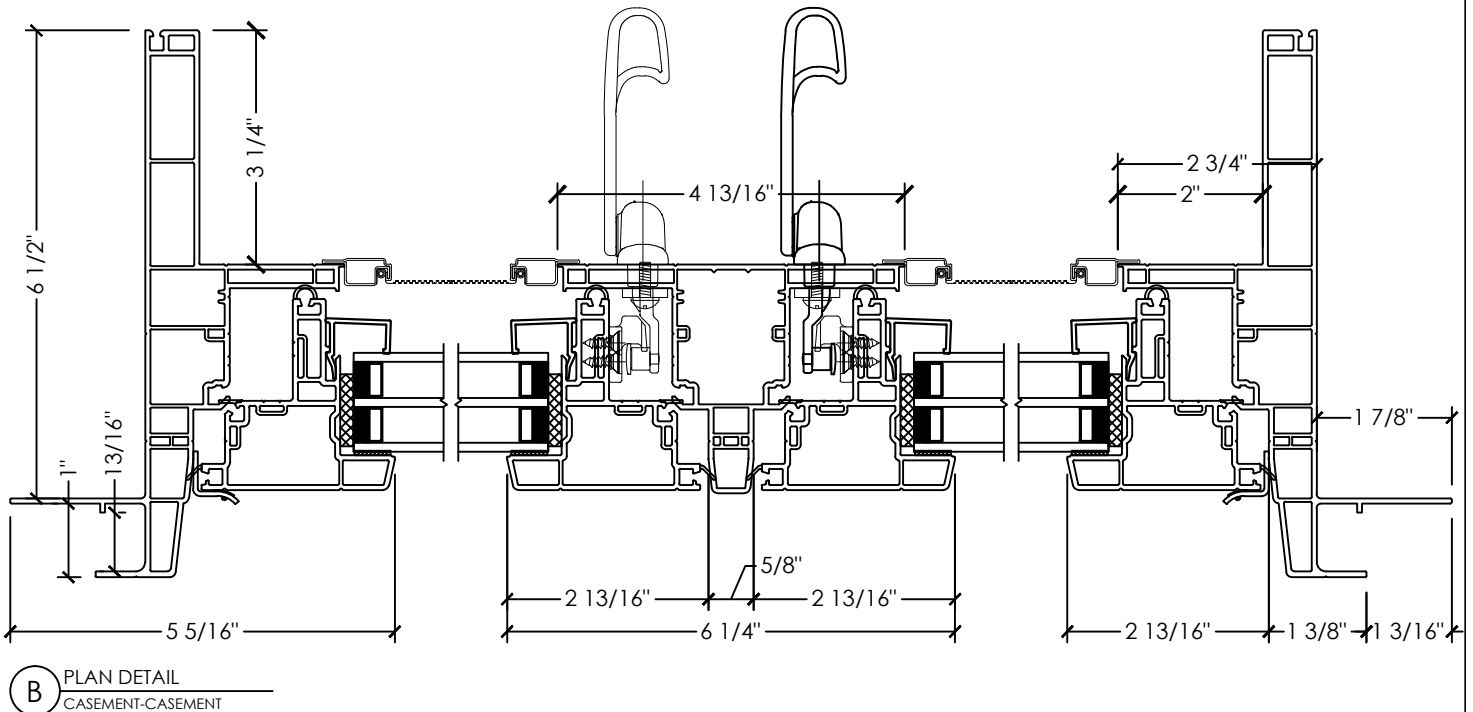
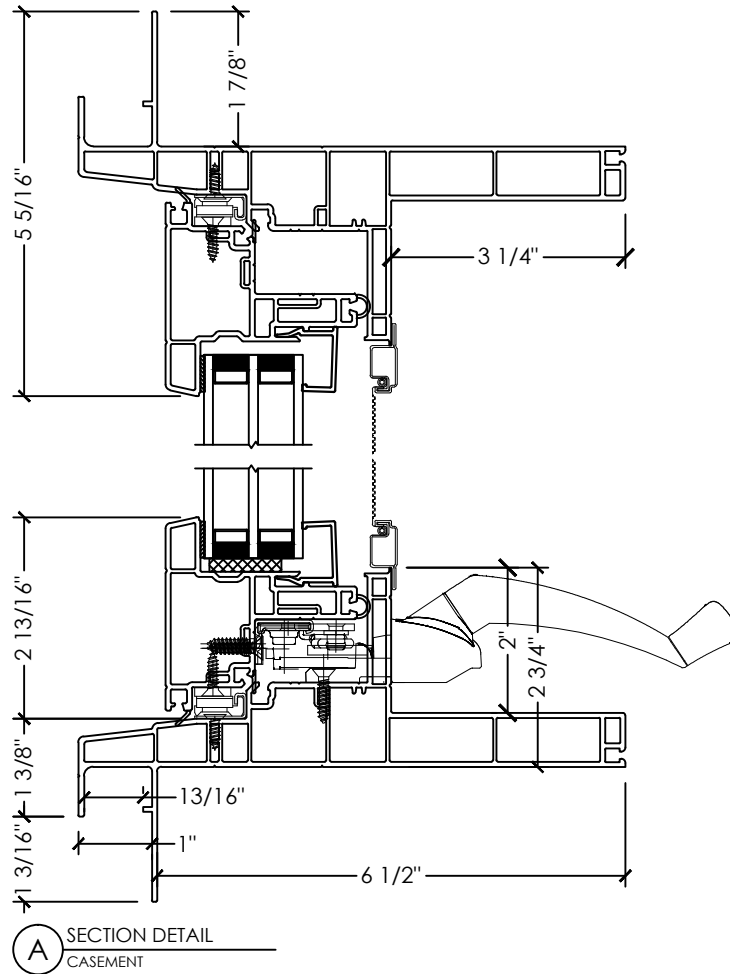
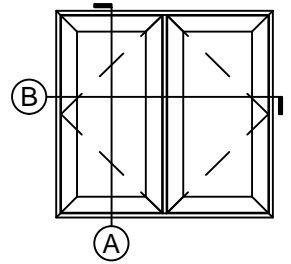
Xtreme-J 750

Section Details | Triple Pane
Casement



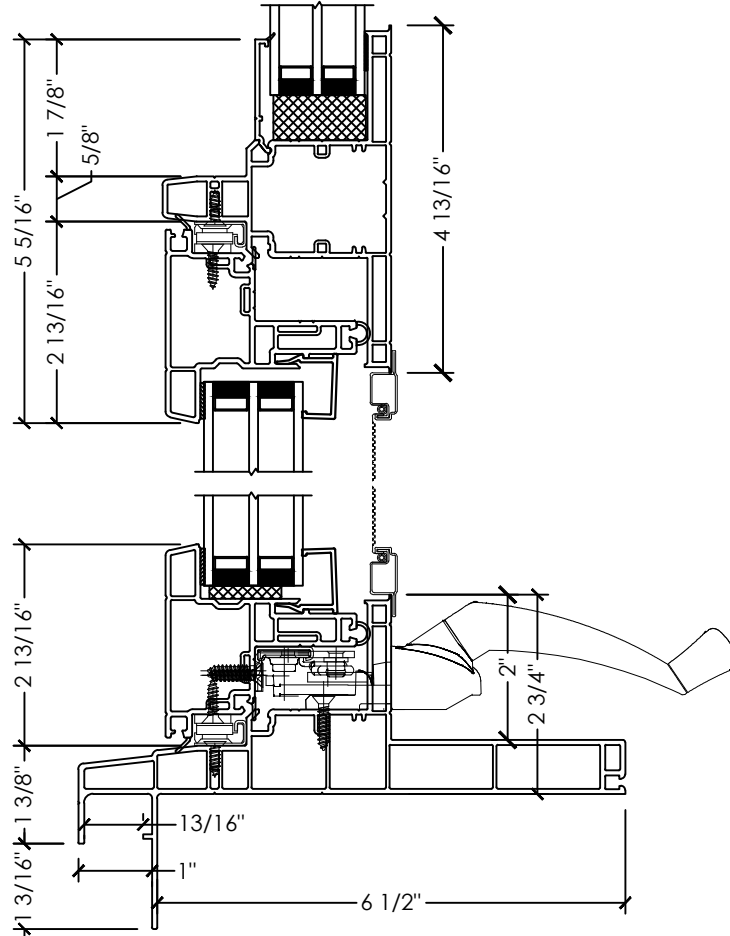
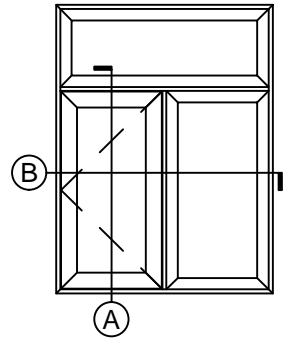
Xtreme-J 750

Section Details | Triple Pane
Casement-Casement

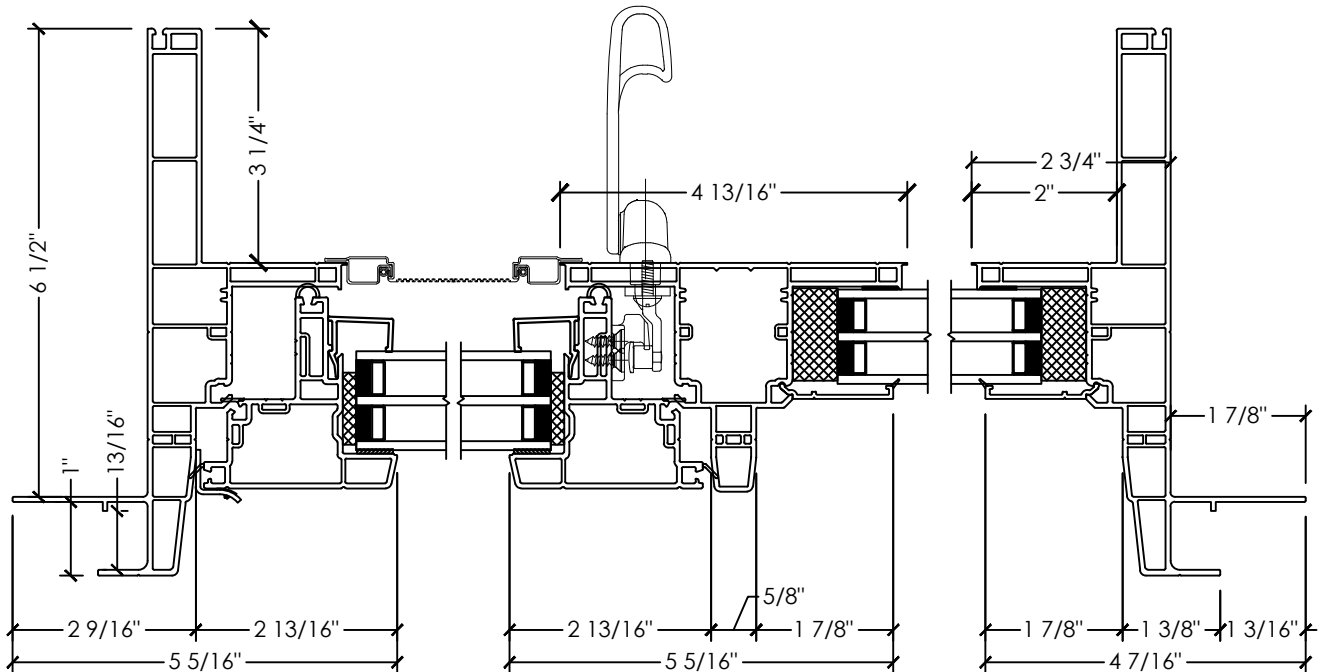


Xtreme-J 750

Section Details | Triple Pane
Fixed/Casement-Fixed



A SECTION DETAIL
FIXED OVER CASEMENT



B PLAN DETAIL
CASEMENT-FIXED