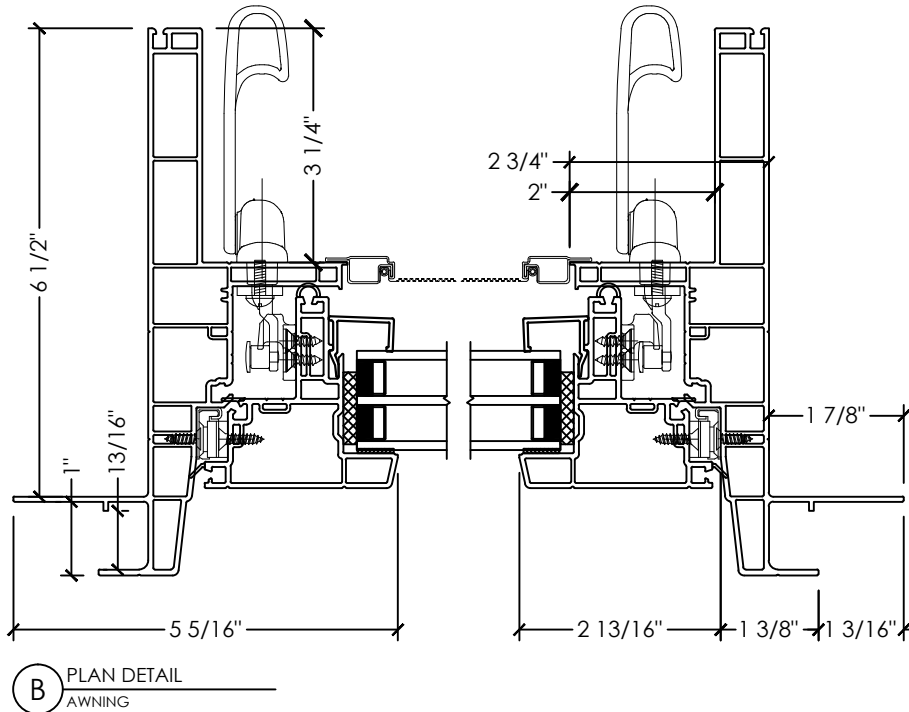
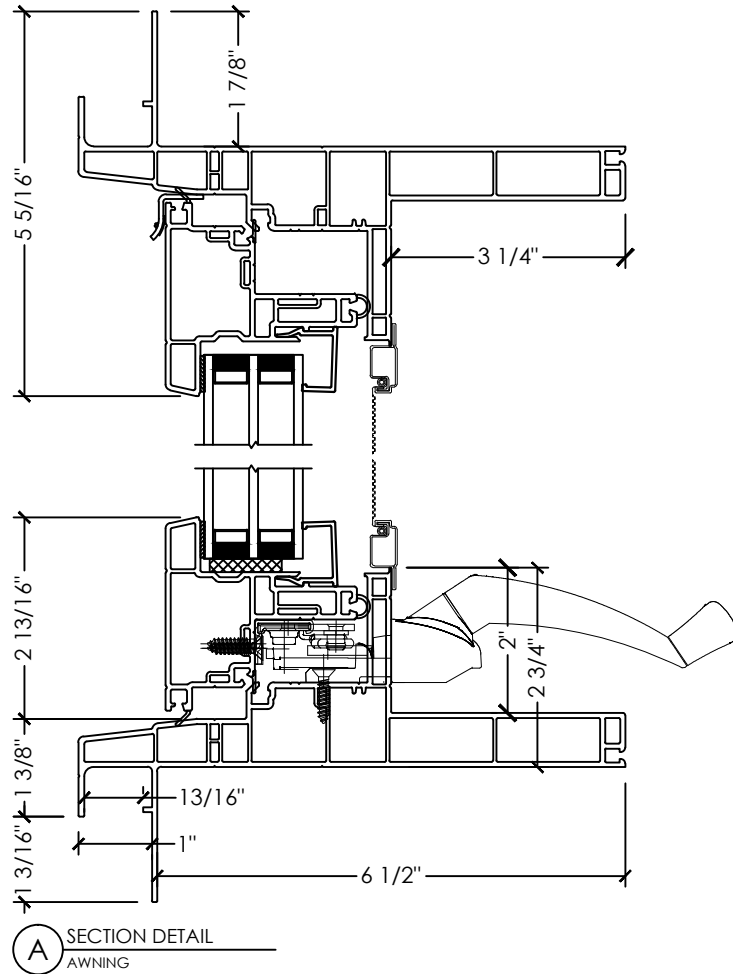
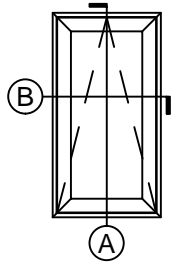


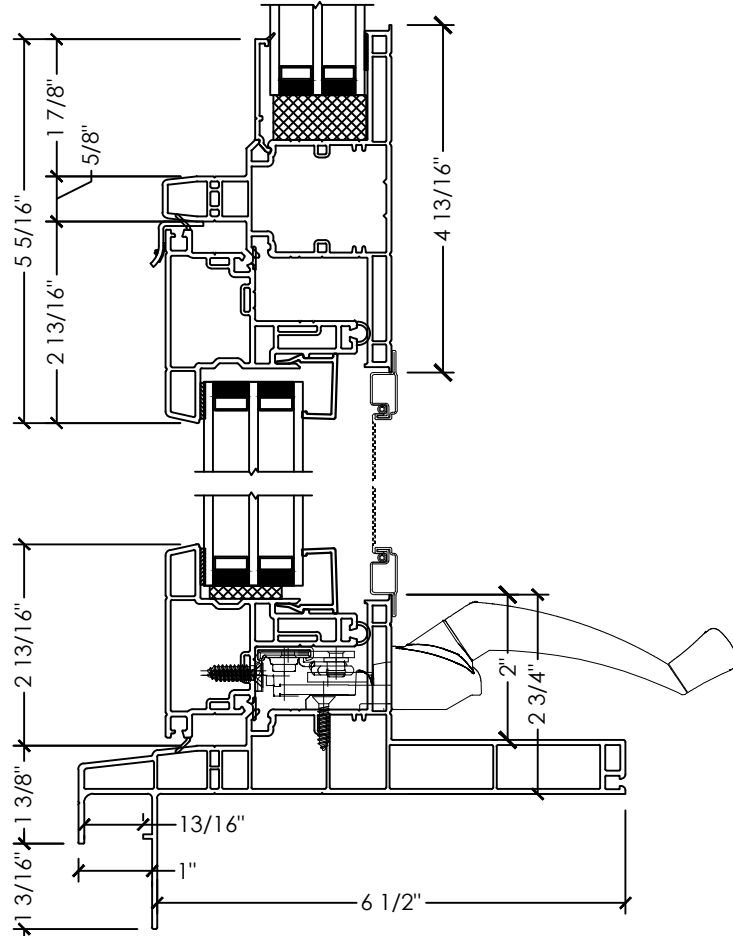
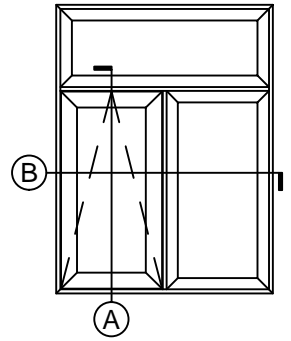
**Xtreme-J 750**

Section Details | Triple Pane  
Awning

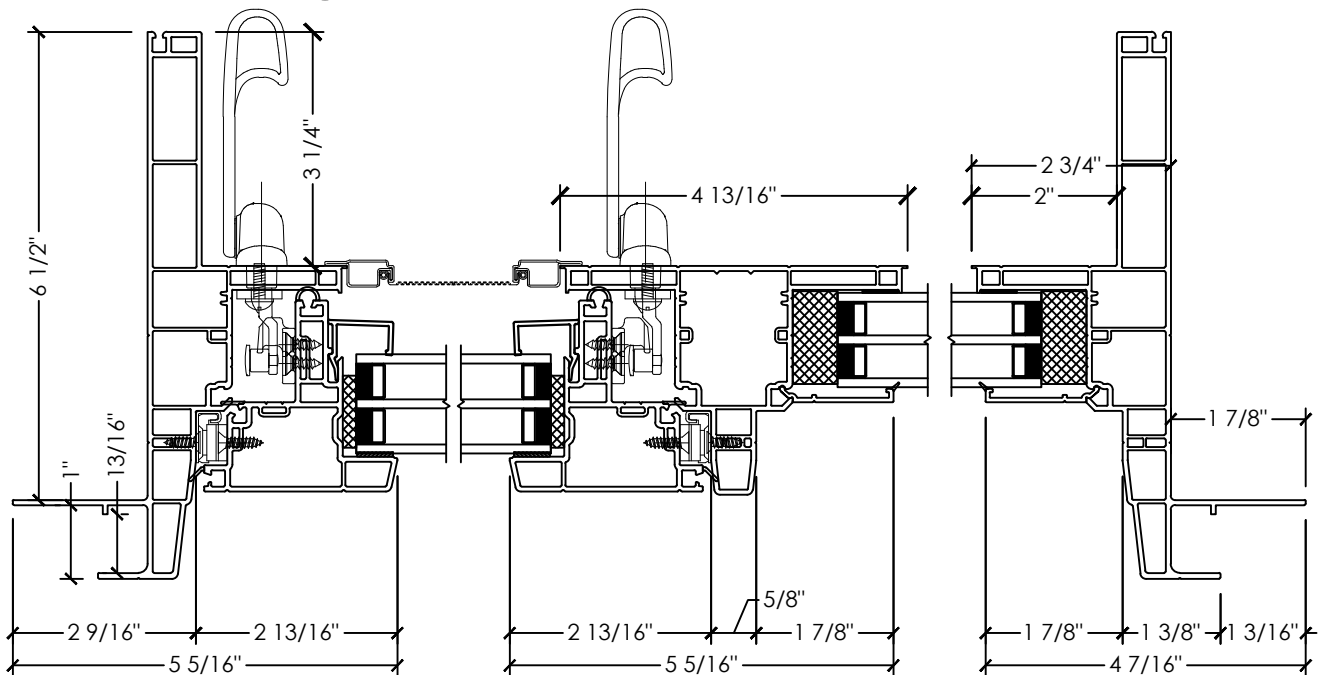


**Xtreme-J 750**

Section Details | Triple Pane  
Fixed/Awning-Fixed



**A** SECTION DETAIL  
FIXED OVER AWNING



**B** PLAN DETAIL  
AWNING-FIXED