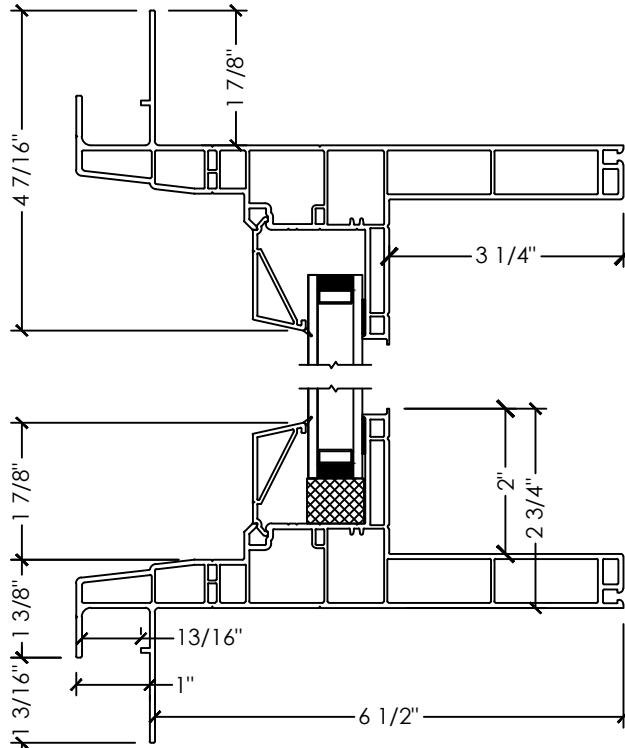
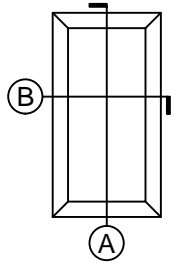
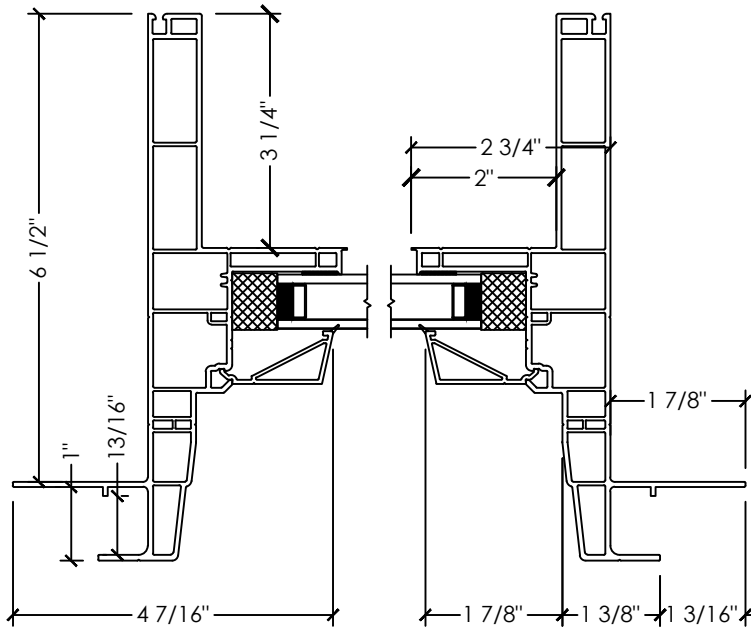


Xtreme-J 750

Section Details | Dual Pane
Fixed



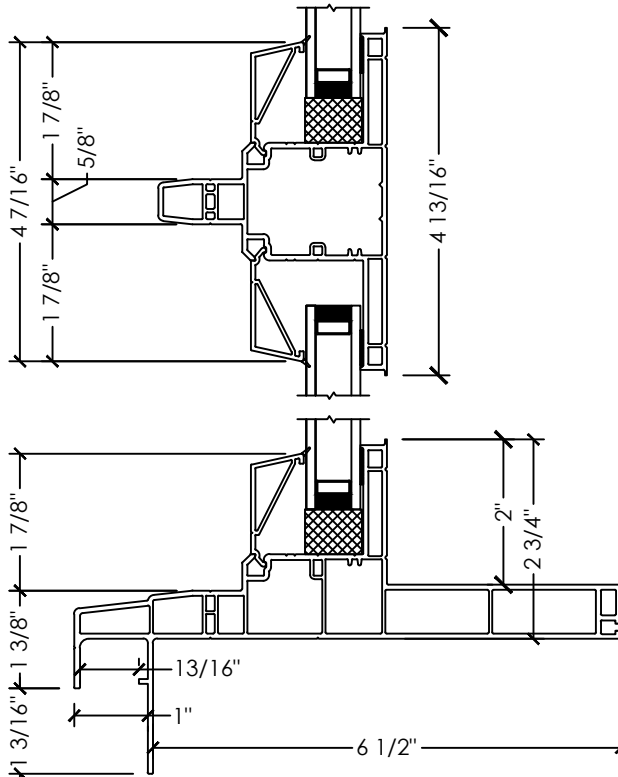
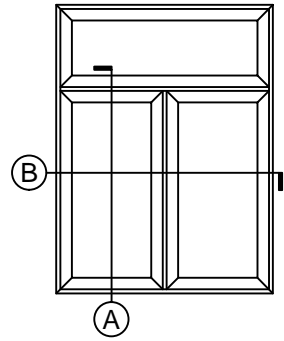
A SECTION DETAIL
FIXED



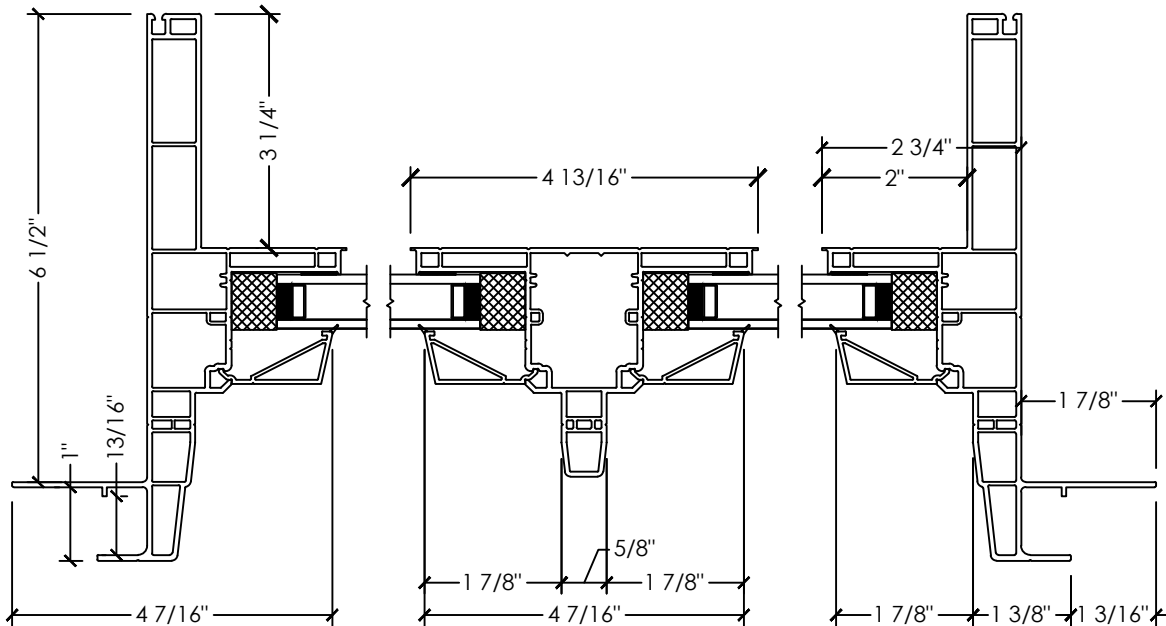
B PLAN DETAIL
FIXED

Xtreme-J 750

Section Details | Dual Pane
Fixed/Fixed-Fixed



A SECTION DETAIL
FIXED OVER FIXED



B PLAN DETAIL
FIXED-FIXED