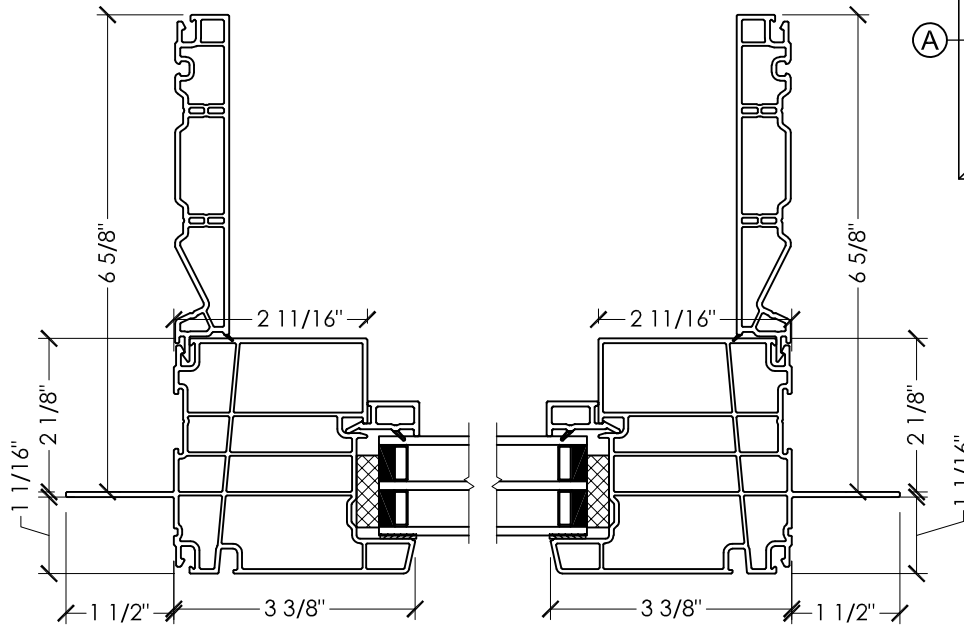
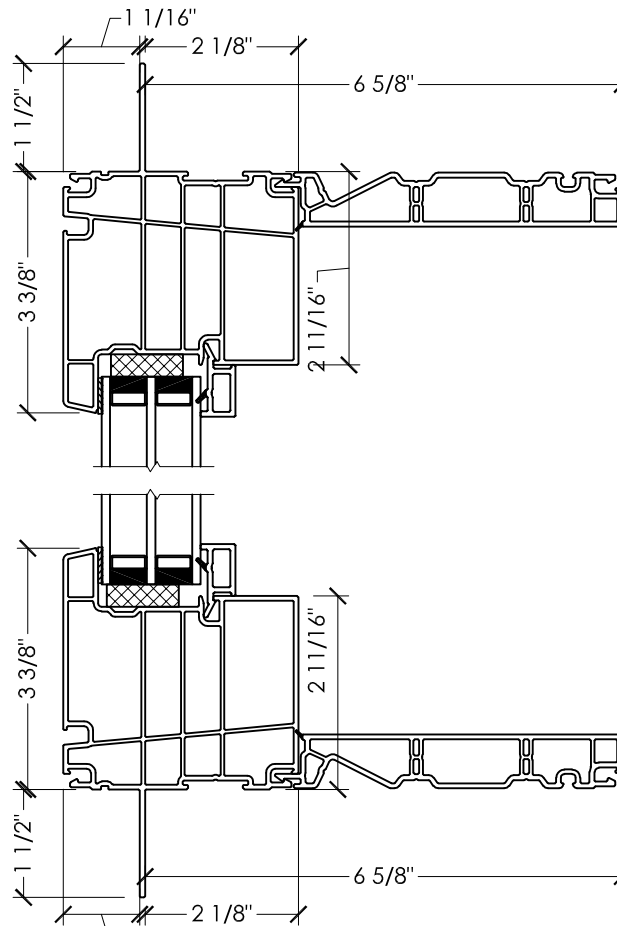
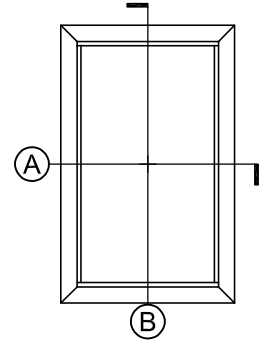


# Omega

Fixed  
Triple Pane



**A** SECTION DETAIL  
Jamb

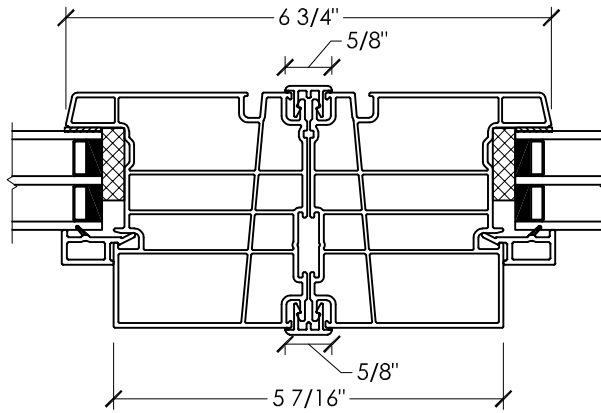


**B** SECTION DETAIL  
Head and Sill

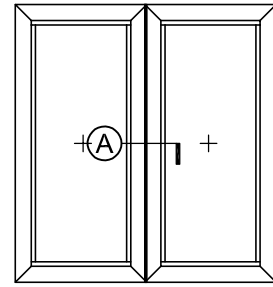
# Omega

Fixed  
Triple Pane

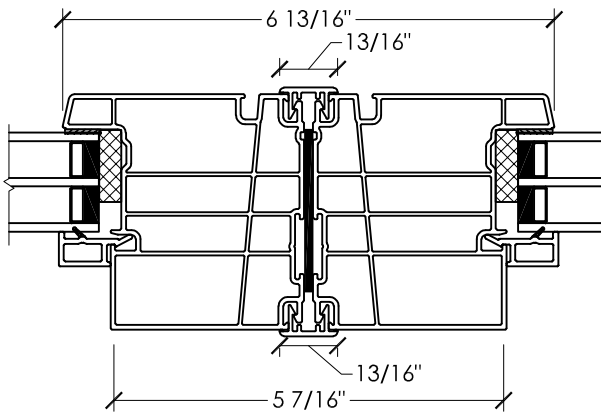
Fixed / Fixed



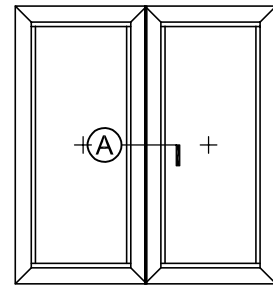
**A** SECTION DETAIL  
Fixed / Fixed Box-to-Box Mullion



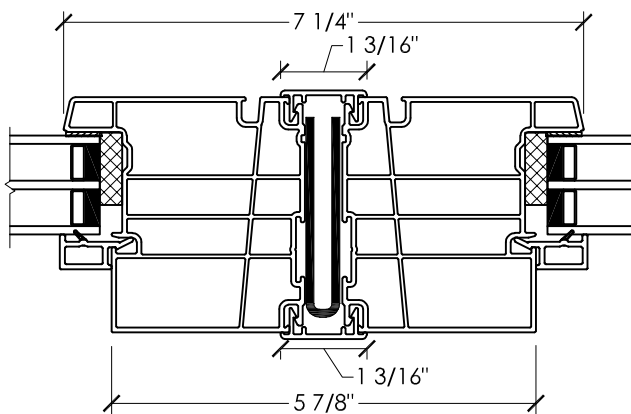
Fixed / Fixed



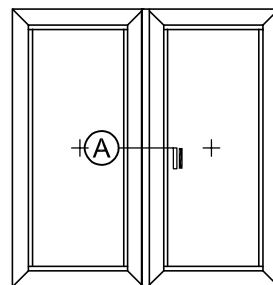
**A** SECTION DETAIL  
Fixed / Fixed Box-to-Box Mullion - 1/8" Reinforcement



Fixed / Fixed



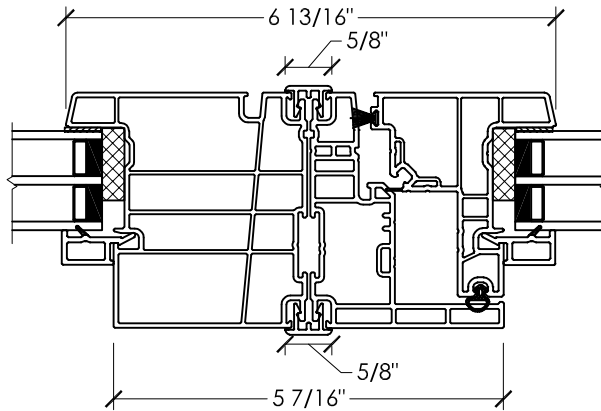
**A** SECTION DETAIL  
Fixed / Fixed Box-to-Box Mullion - 1/2" Reinforcement



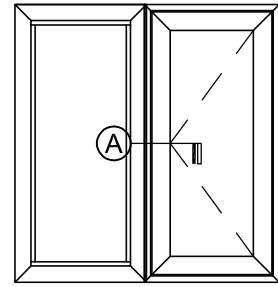
# Omega

Fixed  
Triple Pane

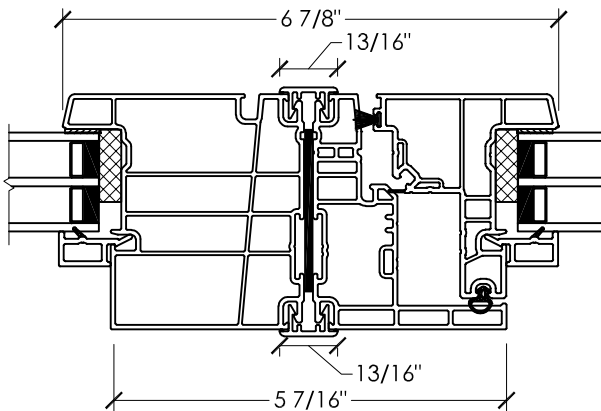
Fixed / Casement



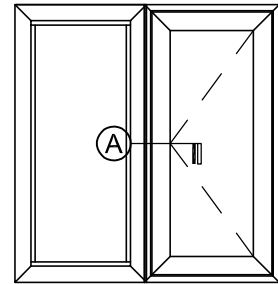
**A** SECTION DETAIL  
Fixed / Casement Box-to-Box Mullion



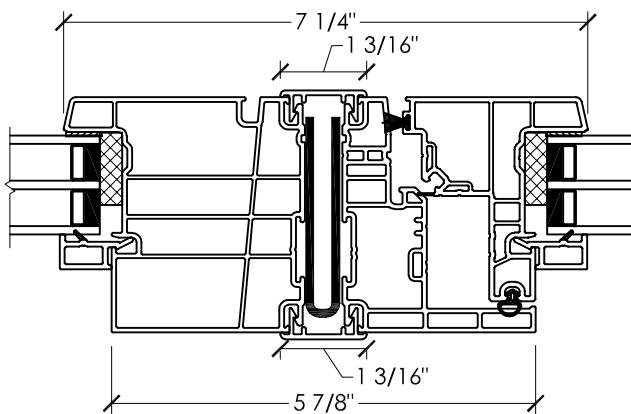
Fixed / Casement



**A** SECTION DETAIL  
Fixed / Casement Box-to-Box Mullion - 1/8" Reinforcement



Fixed / Casement



**A** SECTION DETAIL  
Fixed / Casement Box-to-Box Mullion - 1/2" Reinforcement

