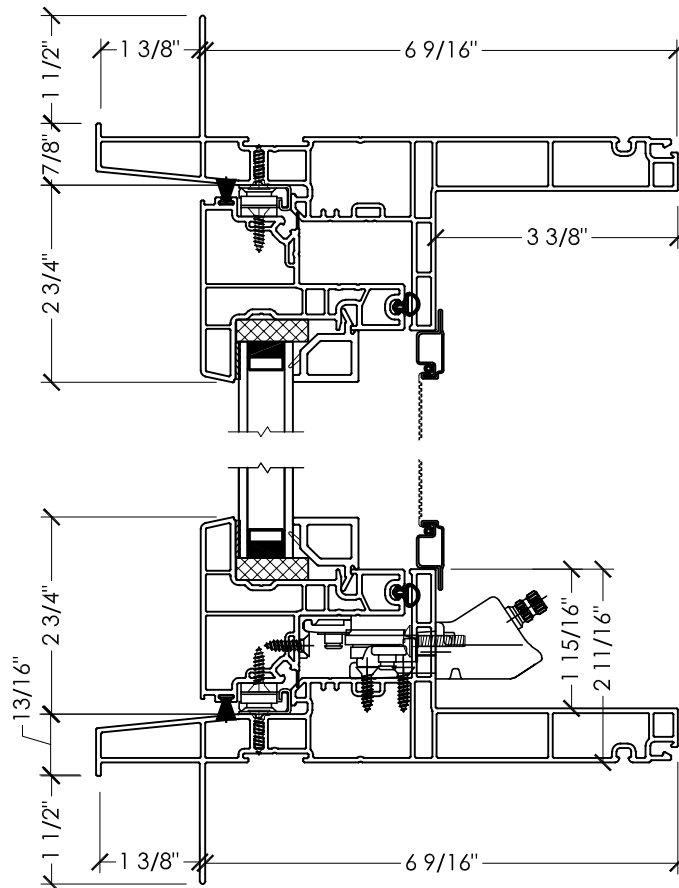
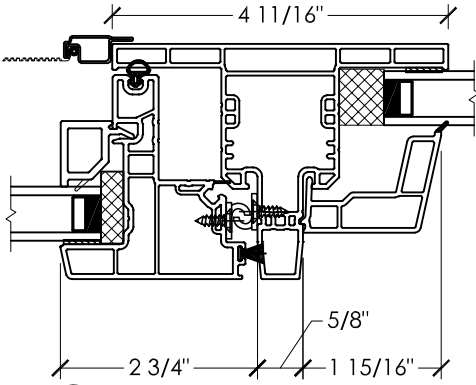


A SECTION DETAIL
Jamb

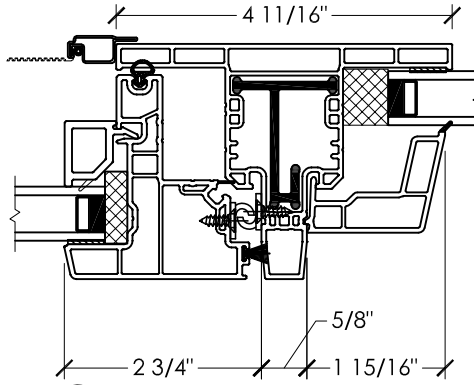


B SECTION DETAIL
Head and Sill

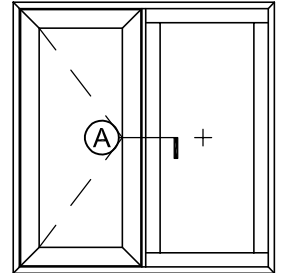
Casement / Direct Set



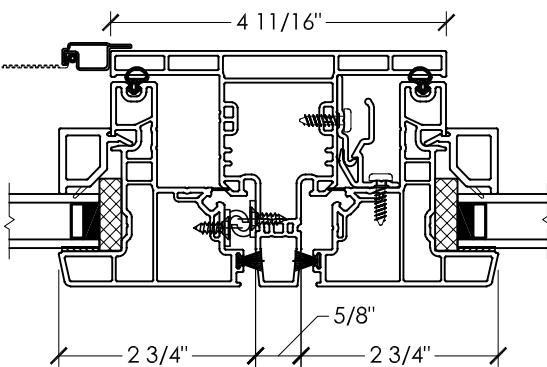
A SECTION DETAIL
Casement / Direct Set Common Mullion



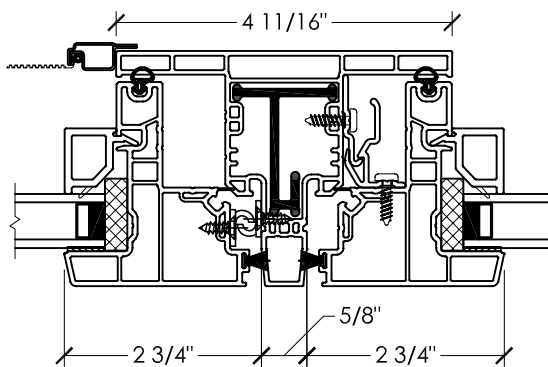
A SECTION DETAIL
Casement / Direct Set Reinforced Common Mullion



Casement / Fixed sash



A SECTION DETAIL
Casement / Fixed Sash Common Mullion



A SECTION DETAIL
Casement / Fixed Sash Reinforced Common Mullion

