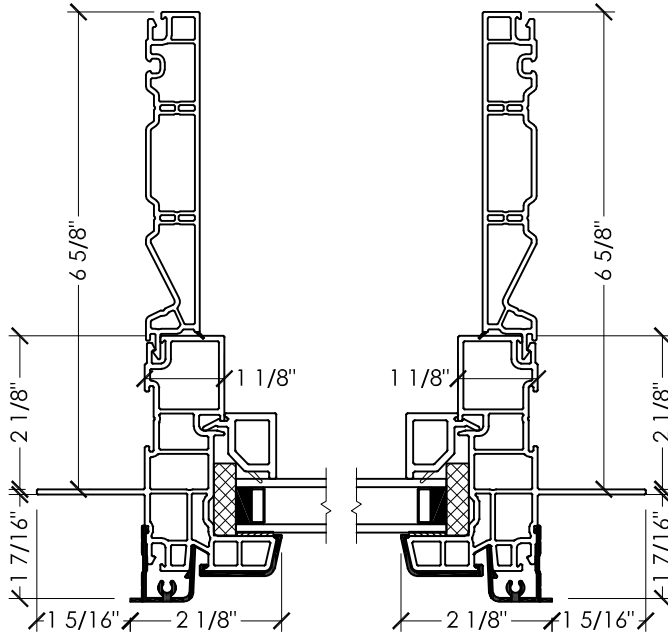
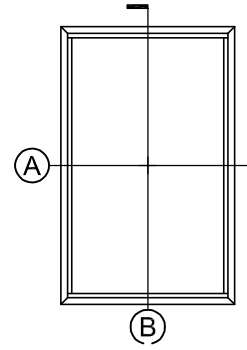
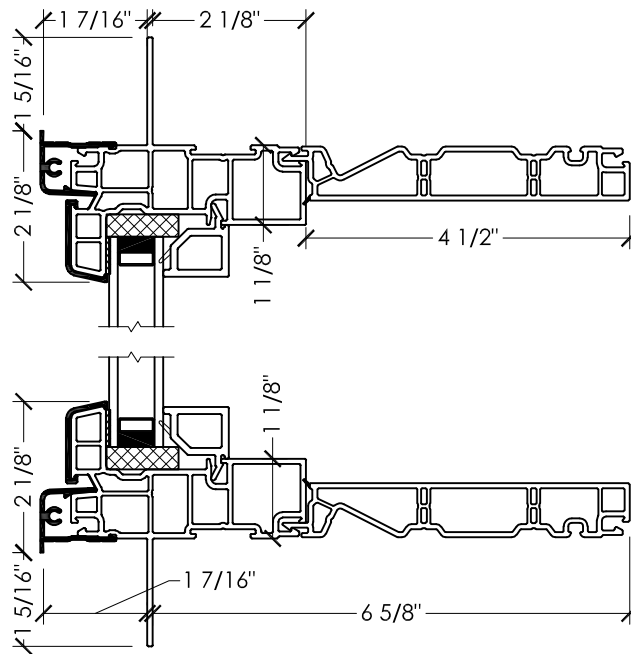


# Omega - Aluminum Clad

Aluminum Clad Picture  
Dual Pane



**A** SECTION DETAIL  
Jamb

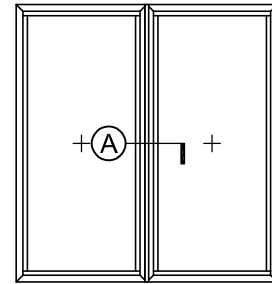
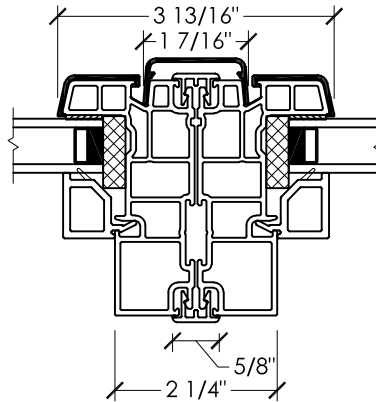


**B** SECTION DETAIL  
Head and Sill

# Omega - Aluminum Clad

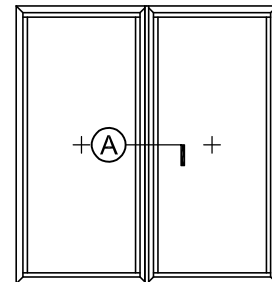
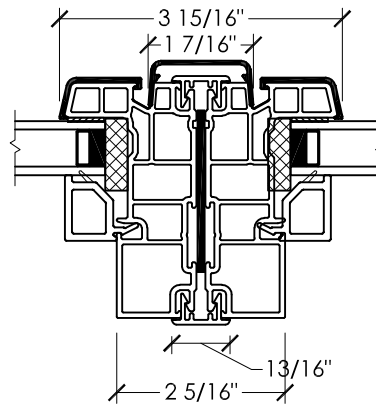
Aluminum Clad Picture  
Dual Pane

Picture / Picture



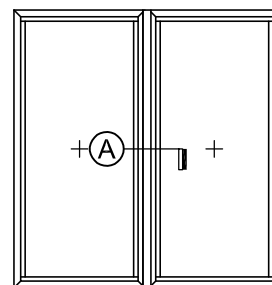
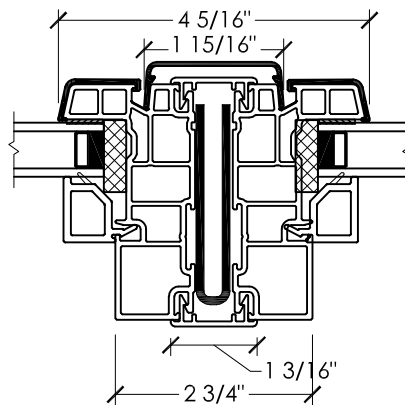
**A** SECTION DETAIL  
Picture / Picture Box-to-Box Mullion

Picture / Picture



**A** SECTION DETAIL  
Picture / Picture Box-to-Box Mullion - 1/8" Reinforcement

Picture / Picture



**A** SECTION DETAIL  
Picture / Picture Box-to-Box Mullion - 1/2" Reinforcement