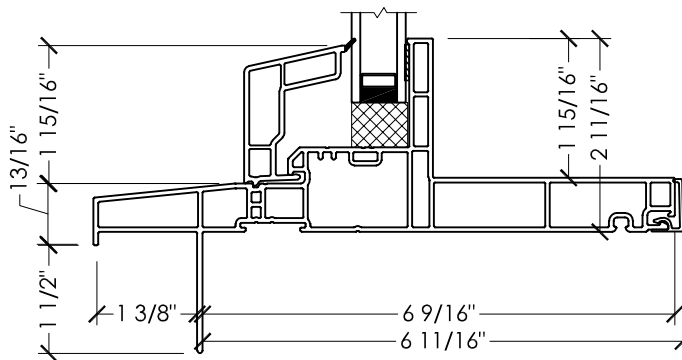
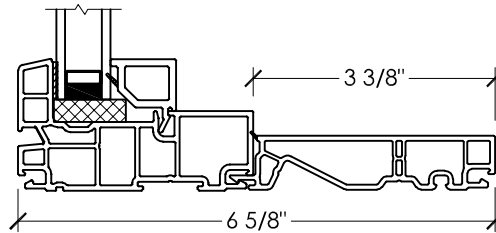
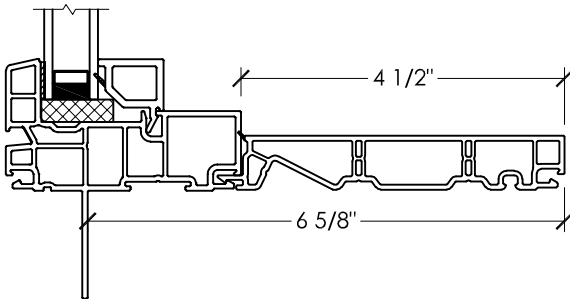
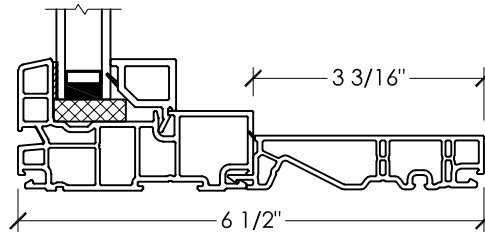
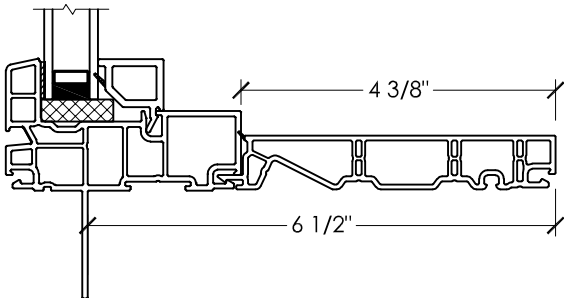
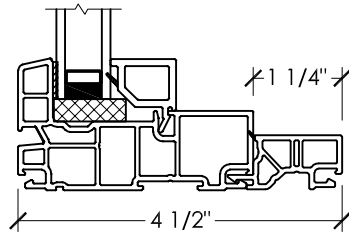
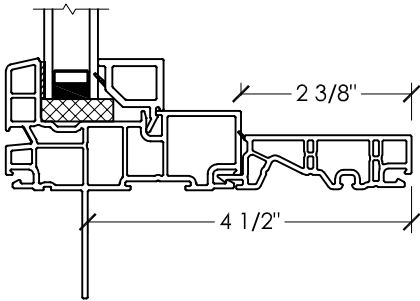
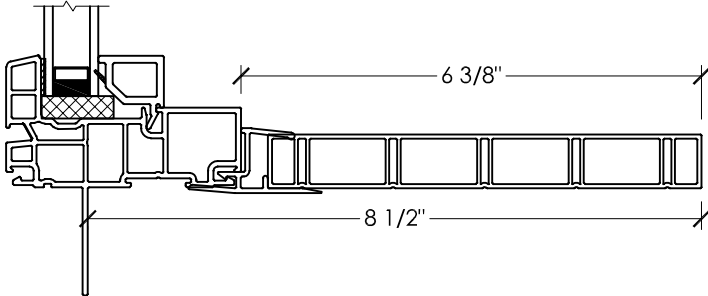


STANDARD JAMB EXTENSIONS

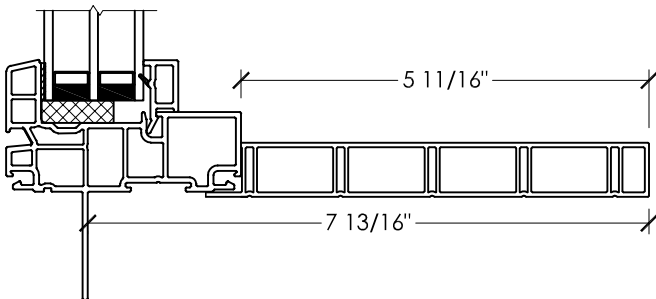
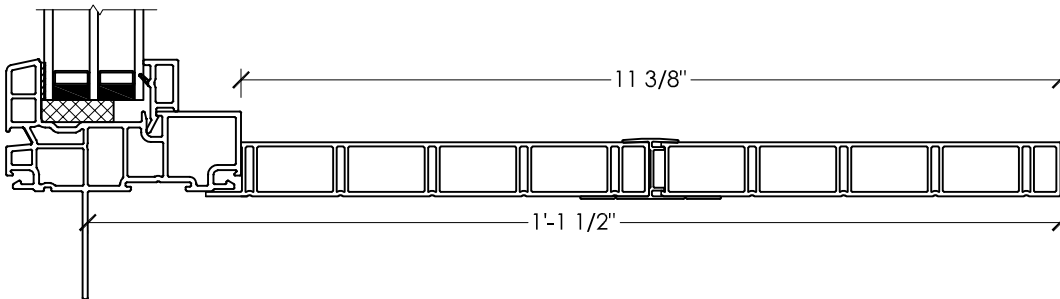


1/8" Extender can be used on all standard jamb extensions

CUSTOM JAMB EXTENSIONS



Custom jamb extension can be cut down to your required jamb depth up to the maximum as shown



Custom jamb w/o clip

U-CHANNEL RETURN

Accepts 1/2", 5/8" and 3/4" materials

