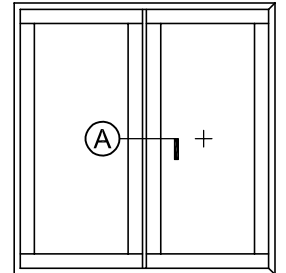
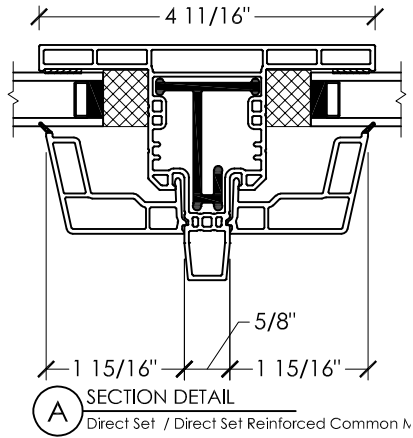
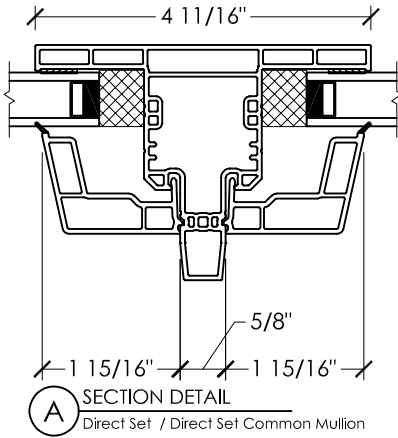


Direct Set / Direct Set



Direct Set / Fixed sash

