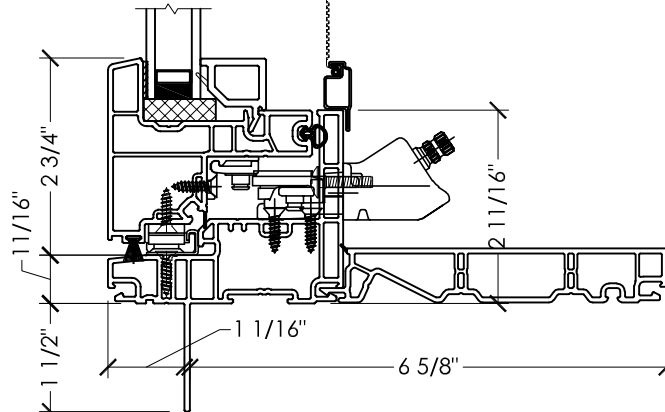
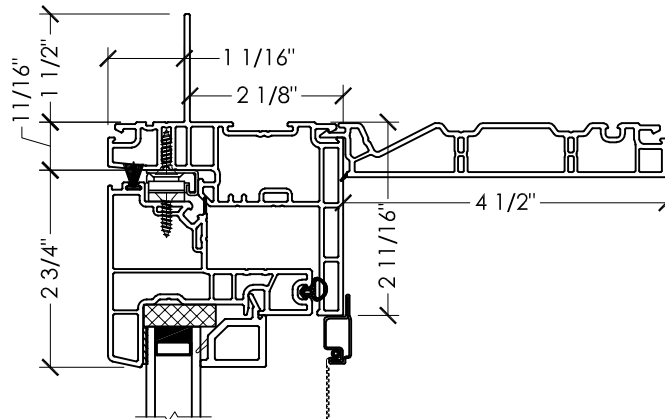
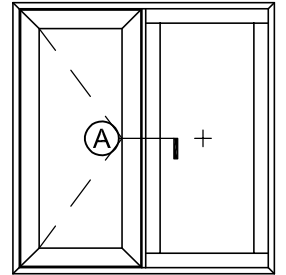
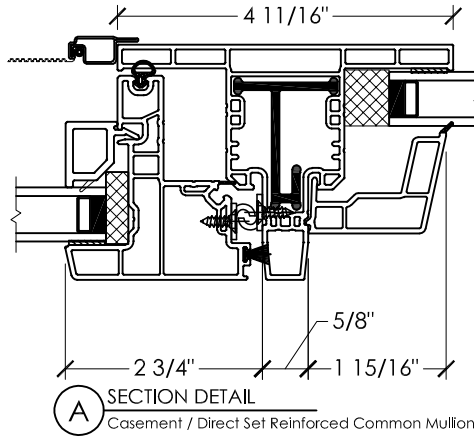
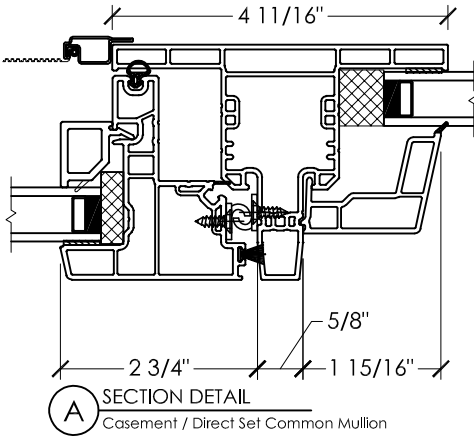


**A** SECTION DETAIL  
Jamb



**B** SECTION DETAIL  
Head and Sill

Casement / Direct Set



Casement / Fixed sash

