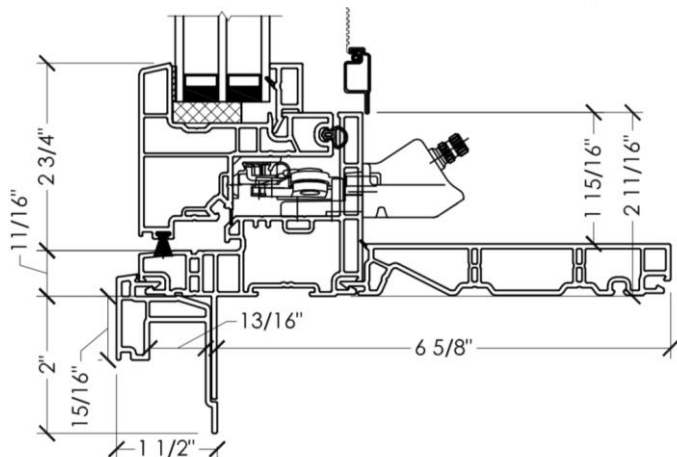




Omega

1 ¼" J-Trim Brickmould

Handy trim that neatly accepts siding



1 ¼" J-Trim Brickmould

- Neatly accepts your choice of exterior siding – eliminates the need for site applied siding j-trim – better appearance and reduced cost
- Provides a wider appearance to the window
- Creates a continuous perimeter around single and combination windows – ideal for box-to-box combinations to provide a seamless look
- Extended nailing fin for carefree installation



1 ½" J-Trim Brickmould

Full 3 ¼" frame with applied jamb extension to fit your size

