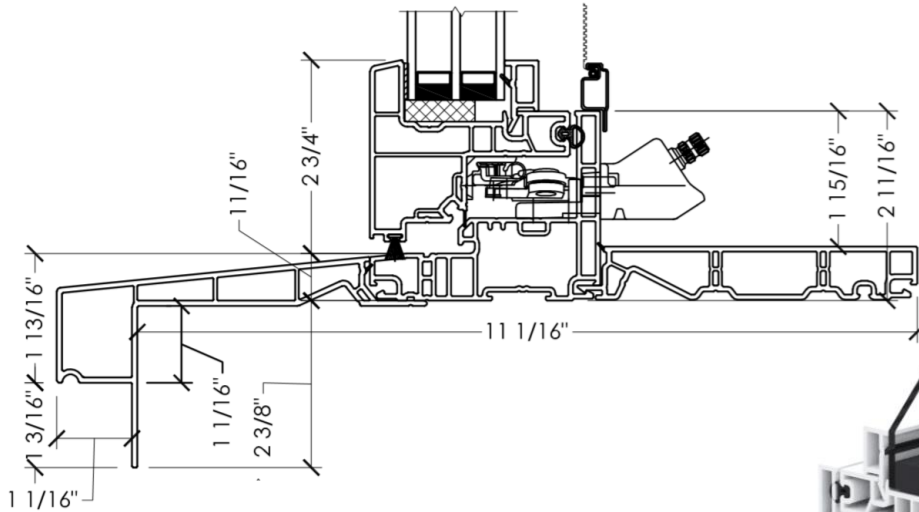




Omega

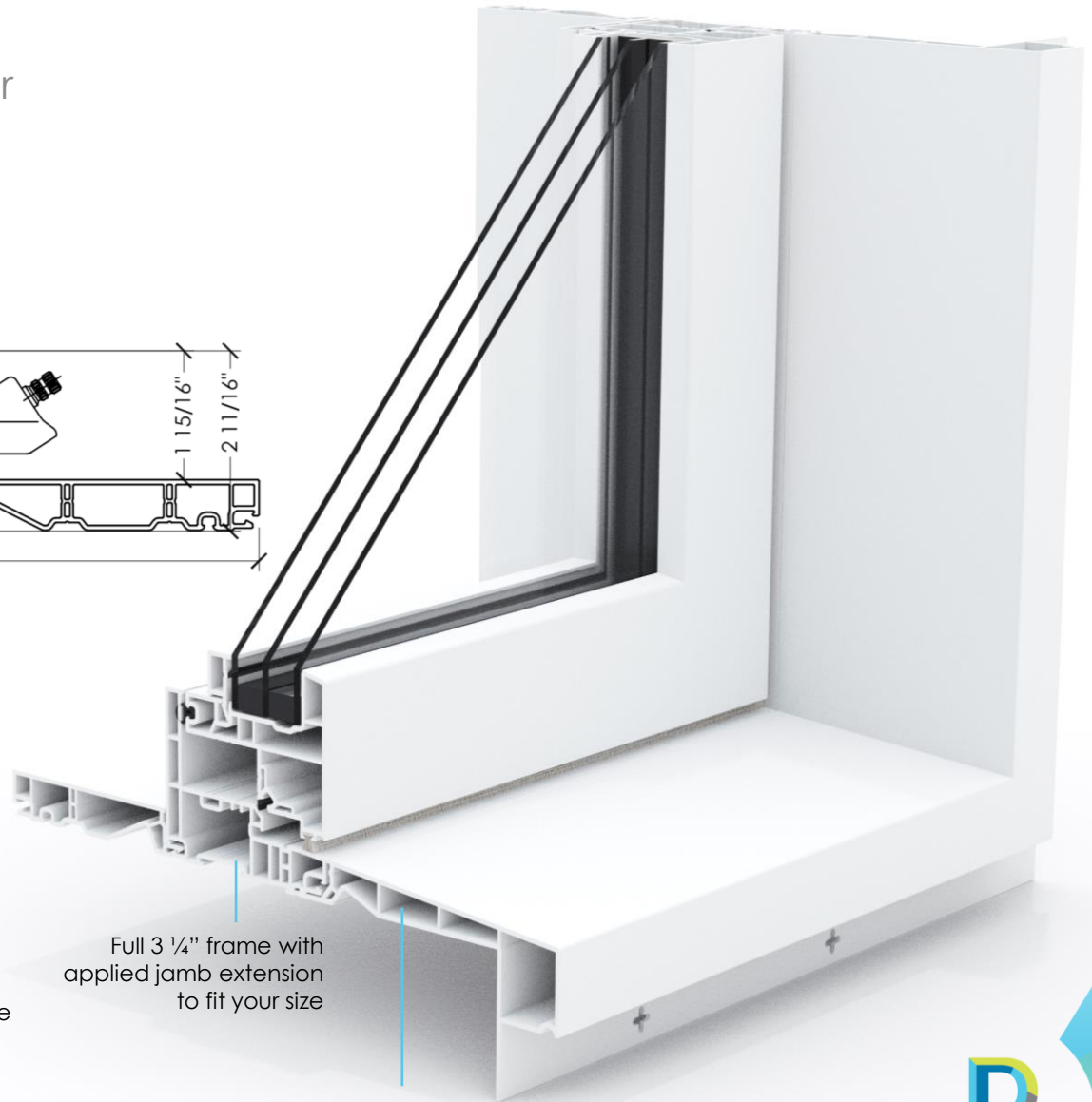
3 1/4" Exterior Extender

Ideal for ICF and wide wall applications



3 1/2" Exterior Extender

- Pushes the frame back 3 1/4", making it ideal for ICF and wide wall applications – positions the window into the wall for better thermal performance
- Welded, watertight corners
- Continuous all four sides creating an attractive shadow box



Full 3/4" frame with applied jamb extension to fit your size

3 1/4" Exterior Extender – ideal for ICF and wide wall applications

