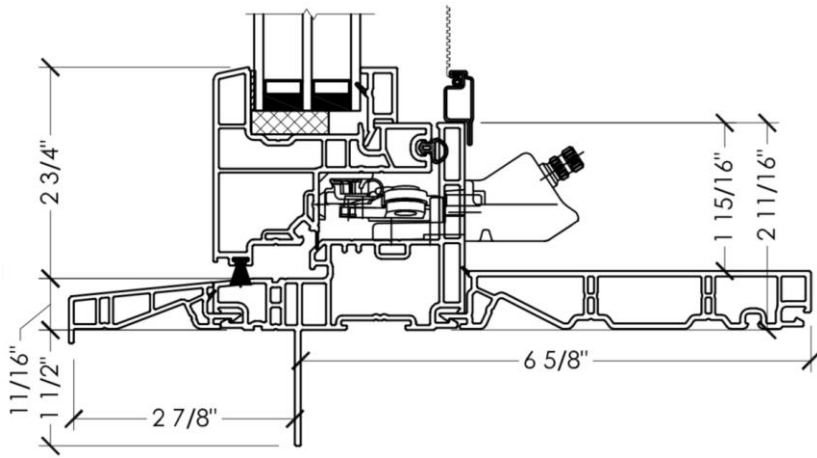




Omega

Exterior Panning

Great solution for exterior wall insulation applications



Exterior Panning

- Provide a 2 7/8" offset allowing for exterior insulation to butt against the under side of the window – improved thermal break and positions the window deeper into the wall
- Welded, watertight corners
- Creates a continuous all four sides shadow box



Full 3 1/4" frame – air and watertight with applied jamb extension to fit your size

