

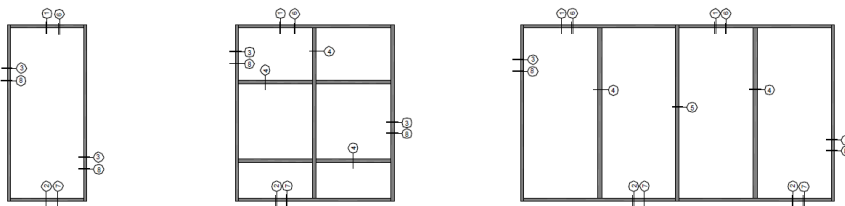
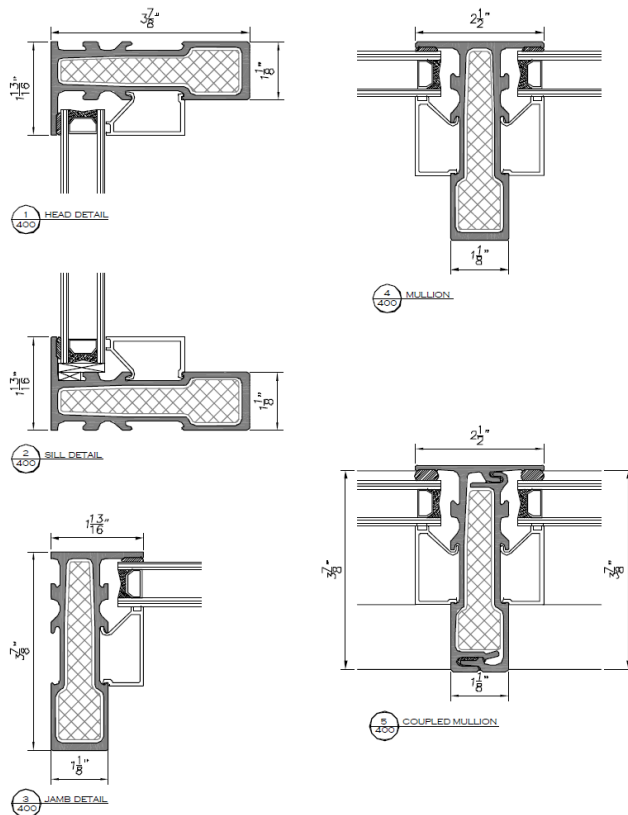
# Fibreglass Strip Windows

Ideal for strip window configurations for commercial buildings. Fibreglass is strong, has high thermal performance and long-term durability.

## Fibreglass Strip Window

Fixed window contemporary profile has greater size capabilities and minimal sightlines. This window can be used for single units or arrange as combinations

- Available in Black, Silver and Commercial Brown. Custom colours also available
- Dual pane and Triple Pane ready with your choice of Solar Block U or Sun Gain ER Low E – Argon
- Mulling to aluminum door systems available.



## Fibreglass Properties – Ideal for Windows

- strong and stiff, like aluminum, 10x vinyl – allows for longer spans, narrower profiles
- high thermal performance – low conductivity, enhanced energy performance.
- low thermal movement, similar to glass – less stress on sealant / gaskets and joints
- environmentally conscious – energy efficient, low embodied energy, long life span – 50+ years